

Excellent Integrated System Limited

Stocking Distributor

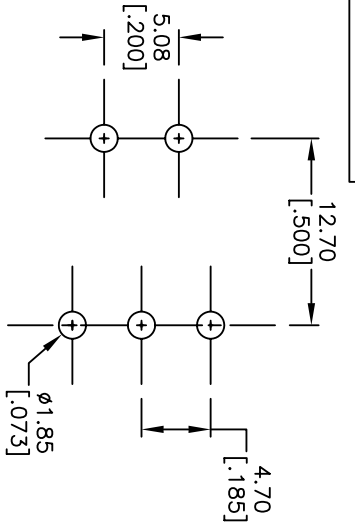
Click to view price, real time Inventory, Delivery & Lifecycle Information:

[E-Switch](#)
[300SP5J1REDM6QE](#)

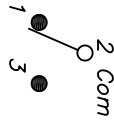
For any questions, you can email us directly:

sales@integrated-circuit.com

SHEET OF



RECOMMENDED P.C.B. LAYOUT



CIRCUIT: SPDT

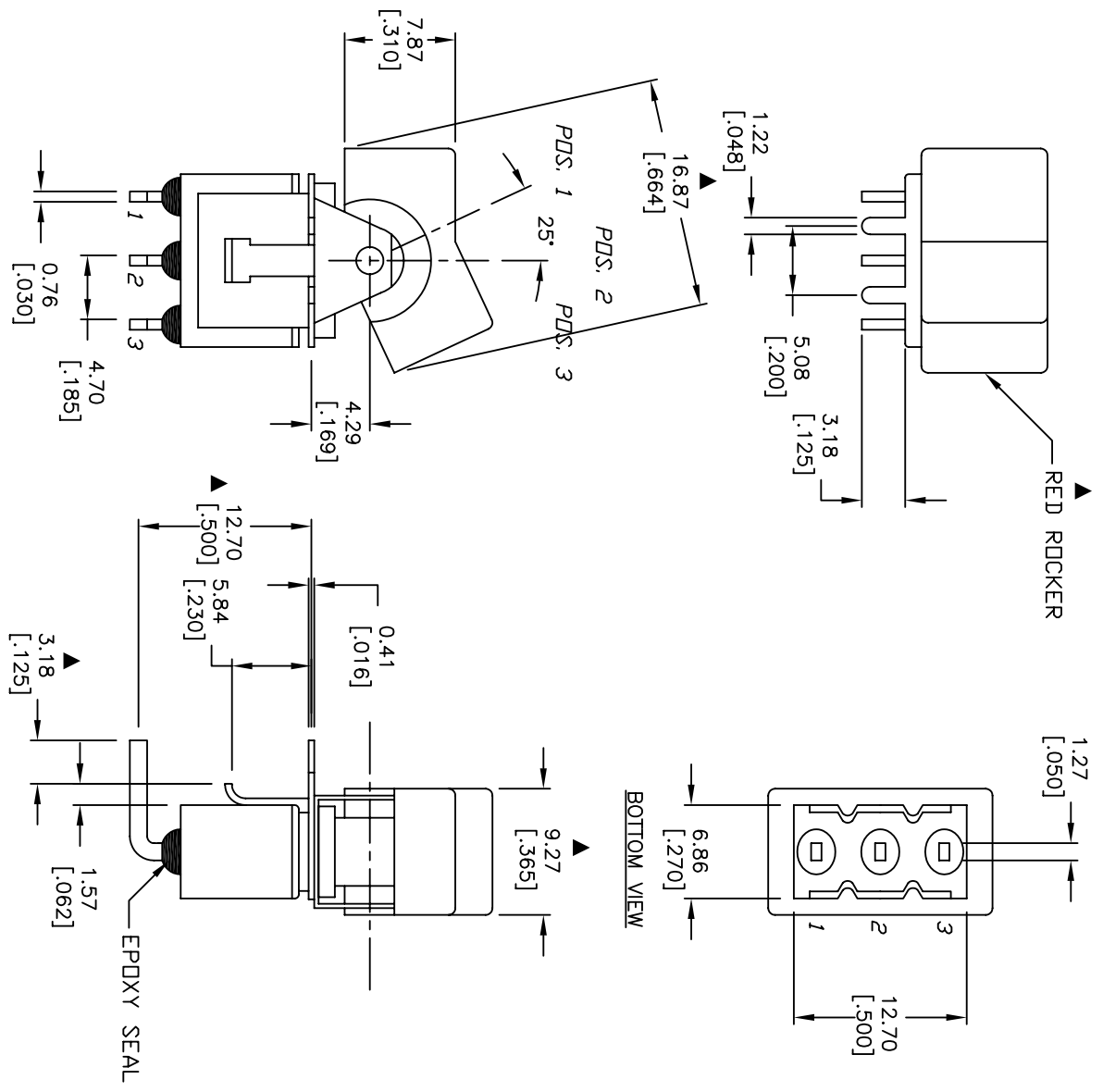
SWITCH FUNCTION		
PDS. 1	PDS. 2	PDS. 3
<DN>	OFF	DN
2-3	OPEN	2-1

<DN> = MOMENTARY

- NOTES:
1. ALL DIMENSIONS IN MM [INCH]
 2. GENERAL TOLERANCE: X.X=±0.4 X.XX=±0.25
 3. TERM. NOS. FOR REF. ONLY
 4. RATING: 5A @120VAC OR 28VDC 2A @250VAC
 5. MATERIAL: FIXED TERMINAL & MOVING CONTACT
Copper Alloy w/Silver Plate
 6. CONTACT RESISTANCE: 10mILLI Ohms max initial @2-4VDC, 100mA for AG & AU
 7. ELECTRICAL LIFE: 50,000 make-and-break cycles at full load.
 8. INSULATION RESISTANCE: 1,000M ohm min.
 9. DIELECTRIC STRENGTH: 1000V RMS @sea level
 10. OPERATING TEMP.: -30°C to 85°C
 11. ▲ DENOTES CRITICAL PARAMETER.
 12. 2002/95/EC (ROHS) COMPLIANT

REV.	ECN No.	DESCRIPTION	DATE	CHKD
B	16742	UPDATED SWITCH FUNCTION/NOTE	12/7/06	TN
A	14410	RELEASED FOR PRODUCTION	10/15/04	AR

TITLE	SCALE	DATE	DR	DWG	REV
300SP5J1REDM6QE	2:1	12/7/2006	TN	T315011	B



THE INFORMATION CONTAINED IN THIS DOCUMENT IS PROPRIETARY TO E-SWITCH AND IS NOT TO BE COPIED OR TRANSMITTED