

Excellent Integrated System Limited

Stocking Distributor

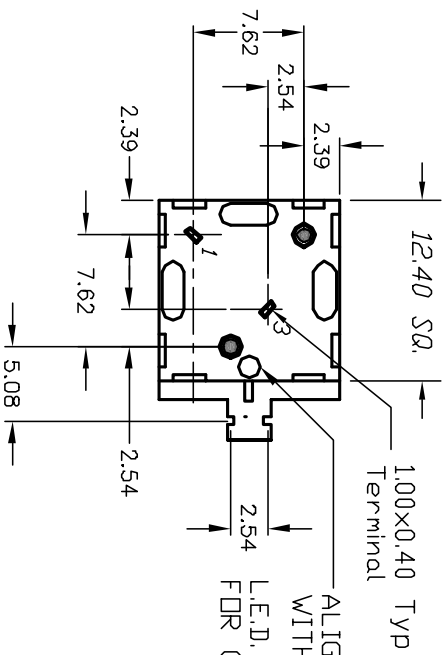
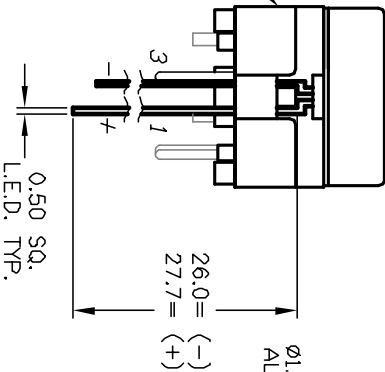
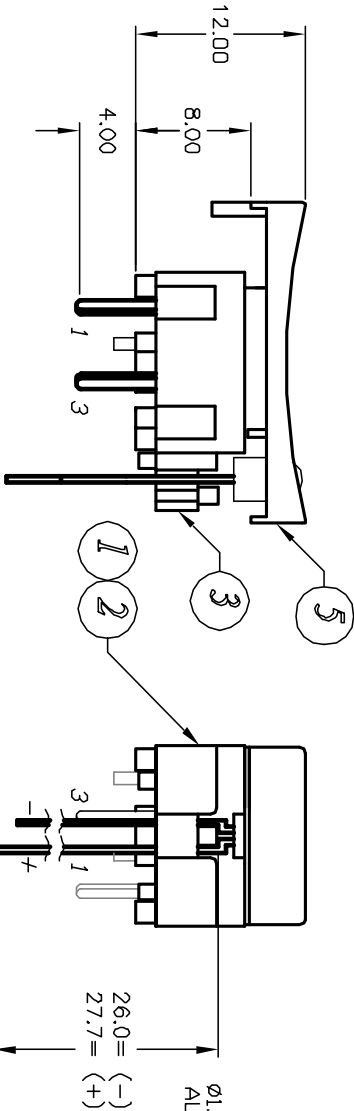
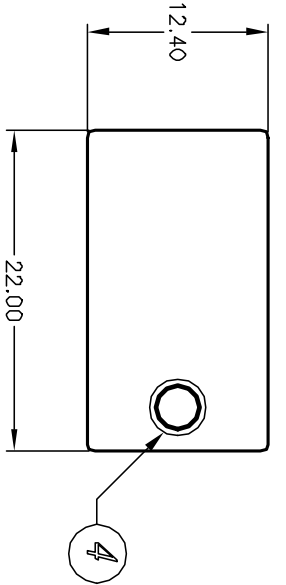
Click to view price, real time Inventory, Delivery & Lifecycle Information:

[E-Switch](#)
[320.2E11YELREDLED](#)

For any questions, you can email us directly:

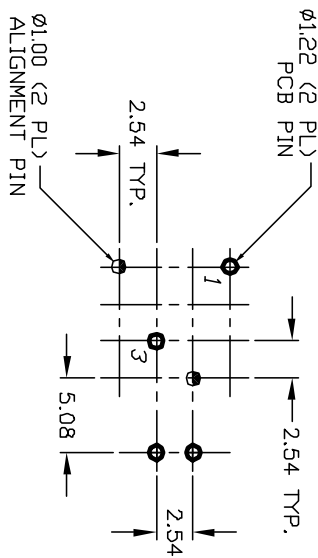
sales@integrated-circuit.com

SHEET OF

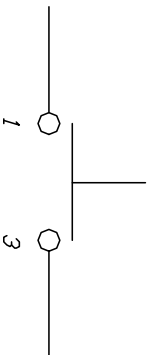


ALIGN LED HOLDER WITH STUD
 L.E.D. SHOWN REMOVED FOR CLARITY

PARTS LIST		
Item	Qty.	Dwg. No. Part No.
1	1	B01ME11 320 E1-1 BODY
2	1	B050001 320 E1-1 CONTACT
3	1	B070001 320.2 LED HOLDER
4	1	D062004 RED L.E.D.
5	1	B042007 320.2 CAP YEL.



RECOMMENDED P.C.B. LAYOUT



CIRCUIT: SPST

NOTES:

1. ALL DIMENSIONS IN MM
 2. GENERAL TOLERANCE: X.X=±0.4 X.XX=±0.25
 3. TERM. NOS. FOR REF. ONLY
 4. CONTACT RATING: 25mA/50V DC.
 5. TRAVEL: 0.7mm
 6. OPERATING FORCE: 120gf.
 7. LED SPECIFICATION
- FORWARD VOLTAGE: $V_f = 2.0V$

E-SWITCH®

320.2 E1-1 YEL W/RED LED

REV.	A	ECN No.	12950	DESCRIPTION	RELEASED FOR PRODUCTION	DATE	11/11/02	CHKD	CB
THE INFORMATION CONTAINED IN THIS DOCUMENT IS PROPRIETARY TO E-SWITCH AND IS NOT TO BE COPIED OR TRANSMITTED									

TITLE	SCALE	DATE	DR	DWG	REV
320.2 E1-1 YEL W/RED LED	2:1	--	--	XB0671A	A