

Excellent Integrated System Limited

Stocking Distributor

Click to view price, real time Inventory, Delivery & Lifecycle Information:

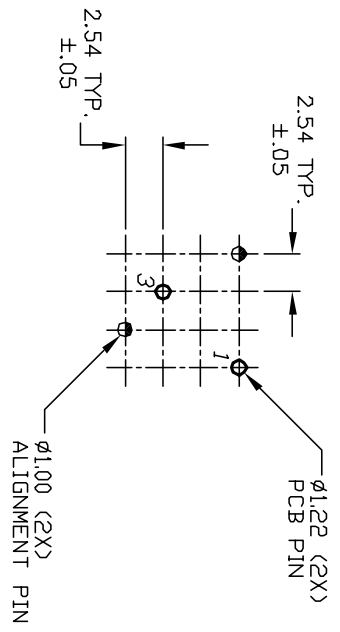
[E-Switch](#)
[330.21E11BLK](#)

For any questions, you can email us directly:

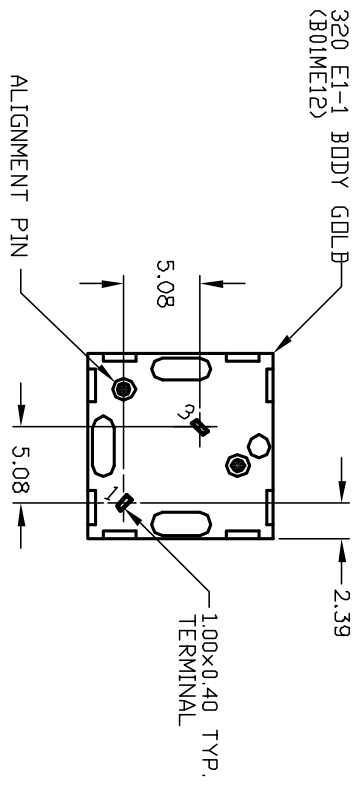
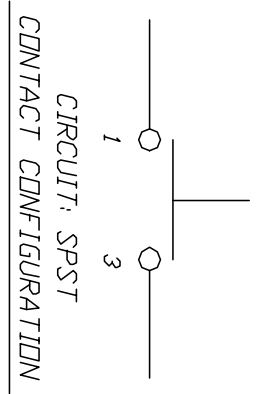
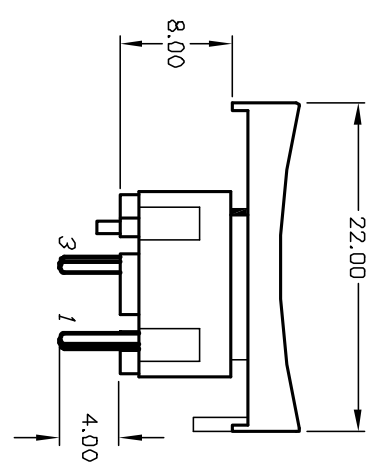
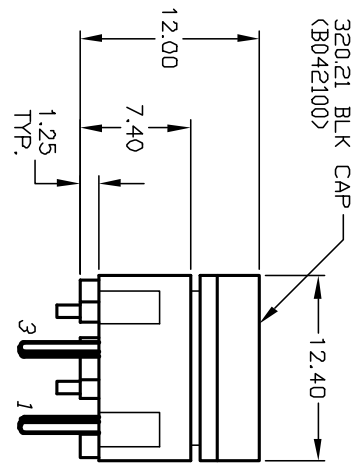
sales@integrated-circuit.com

SHEET OF

TDP VIEW - SHOW ORIENTATION OF LEGENDS
IN RESPECT TO THE PCB PIN TERMINALS.



RECOMMENDED P.C.B. LAYOUT



NOTES:

1. ALL DIMENSIONS IN MM
2. GENERAL TOLERANCE: X.X=±0.4
X.XX=±0.25
3. RATING: 50mA, @50VDC
4. OPERATING FORCE: 120gf
5. TRAVEL TO MAKE: 0.7mm

REV.	ECN No.	DESCRIPTION	DATE	CHKD
A	12729	RELEASED FOR PRODUCTION	1/14/03	CJB

TITLE	SCALE	DATE	DR	DWG	REV
330.21 E1-1 BLK	2:1	1/14/03	CB	XB0889P	A

E-SWITCH®

THE INFORMATION CONTAINED IN THIS DOCUMENT IS PROPRIETARY TO E-SWITCH AND IS NOT TO BE COPIED OR TRANSMITTED