

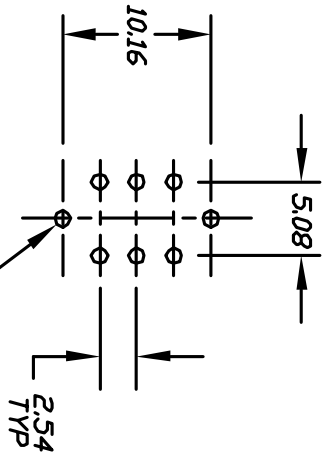
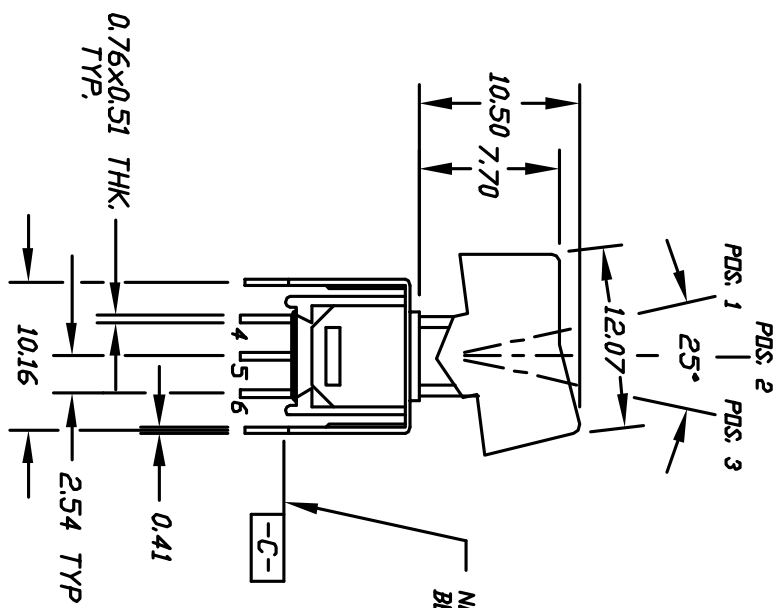
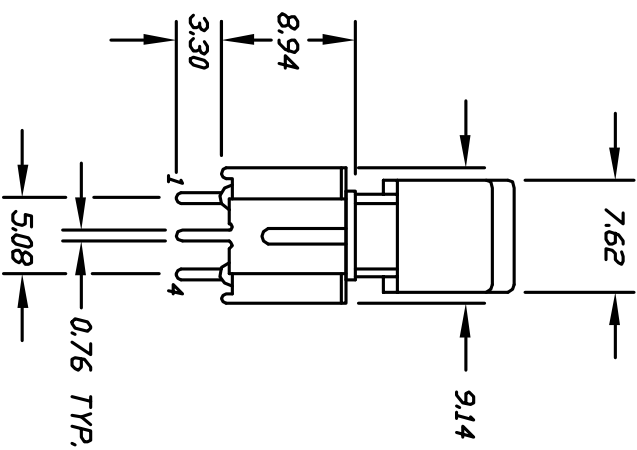
Excellent Integrated System Limited

Stocking Distributor

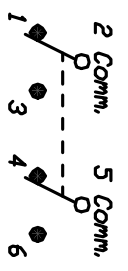
Click to view price, real time Inventory, Delivery & Lifecycle Information:

[E-Switch](#)
[400MDP1R1VS2QE](#)

For any questions, you can email us directly:
sales@integrated-circuit.com



NO EPOXY ON TERMINALS BELOW THIS SURFACE ▲



CIRCUIT: DPDT
 CONTACT CONFIGURATION

SWITCH FUNCTION		
POS. 1	POS. 2	POS. 3
DN	NONE	DN
2-3,5-6	OPEN	2-1,5-4

NOTES

1. ALL DIMENSIONS IN MM
2. TERM. NOS. FOR REF ONLY
3. RATING: 3A @120VAC or 28VDC; 1A @250VAC.

REV.	DESCRIPTION	DATE	CHKD
A	RELEASED FOR PRODUCTION		

TOLERANCES	
±0.4	0.0
±0.25	0.00

TITLE	SCALE	DATE	DR	DWG	REV
400 MDP-1 R1 VS2 Q E	2:1	9/24/97	MM	T421001	A

E-SWITCH®

THE INFORMATION CONTAINED IN THIS DOCUMENT IS PROPRIETARY TO E-SWITCH AND IS NOT TO BE COPIED OR TRANSMITTED