

Excellent Integrated System Limited

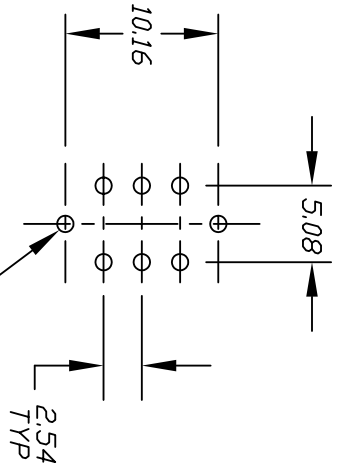
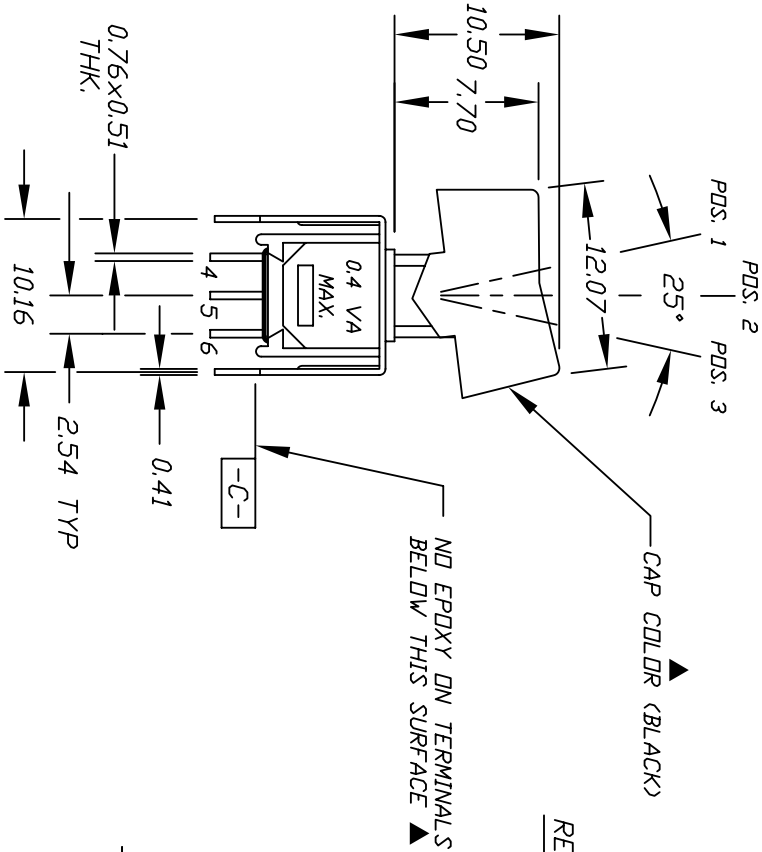
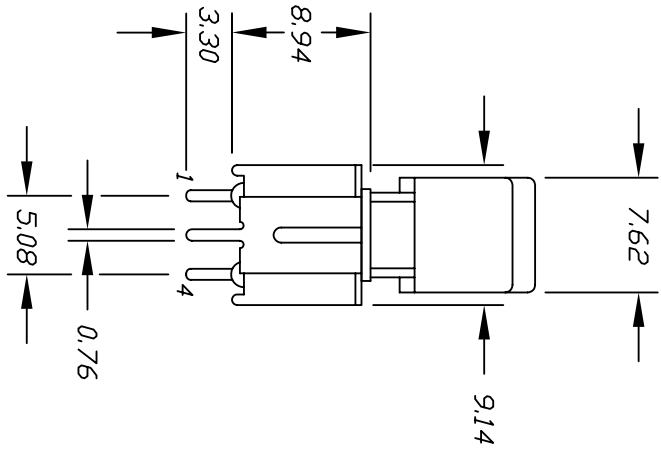
Stocking Distributor

Click to view price, real time Inventory, Delivery & Lifecycle Information:

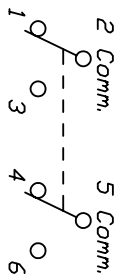
[E-Switch](#)
[400MDP1R1VS2RE](#)

For any questions, you can email us directly:

sales@integrated-circuit.com



RECOMMEND P.C.B. HOLES



CONTACT CONFIGURATION

DPDT

SWITCH FUNCTION		
POS. 1	POS. 2	POS. 3
DN	NONE	DN
2-3-5-6	DPEN	2-1-5-4

NOTES:

1. ALL DIMENSIONS IN MM
2. TERM. NOS. FOR REF ONLY
3. 2002/95/EC (ROHS) COMPLIANT

REV.	PCR #	DESCRIPTION	DATE	CHKD
B	16331	ADDED *CAP COLOR* NOTE	8/16/06	BD
A		RELEASED FOR PRODUCTION		

THE INFORMATION CONTAINED IN THIS DOCUMENT IS PROPRIETARY TO E-SWITCH AND IS NOT TO BE COPIED OR TRANSFERRED

TOLERANCES

0.0	±0.4
0.00	±0.25

E-SWITCH

400 MDP-1 R1 VS2 R E

TITLE
SCALE 2:1

DATE 9/27/96

DR MM

DWG

T421000

REV B