

Excellent Integrated System Limited

Stocking Distributor

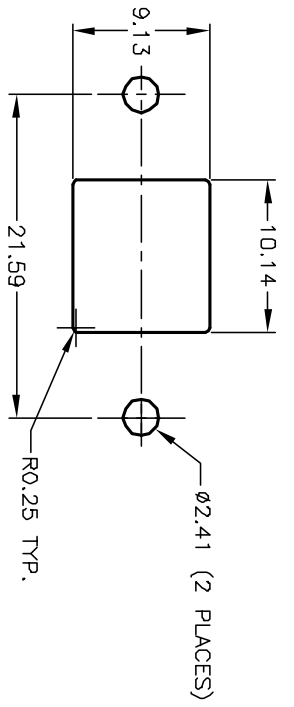
Click to view price, real time Inventory, Delivery & Lifecycle Information:

[E-Switch](#)
[400MDP3R1WHTM1QE](#)

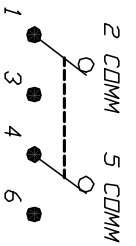
For any questions, you can email us directly:

sales@integrated-circuit.com

SHEET OF



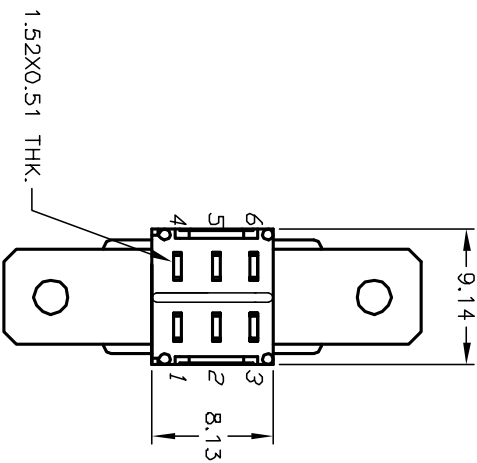
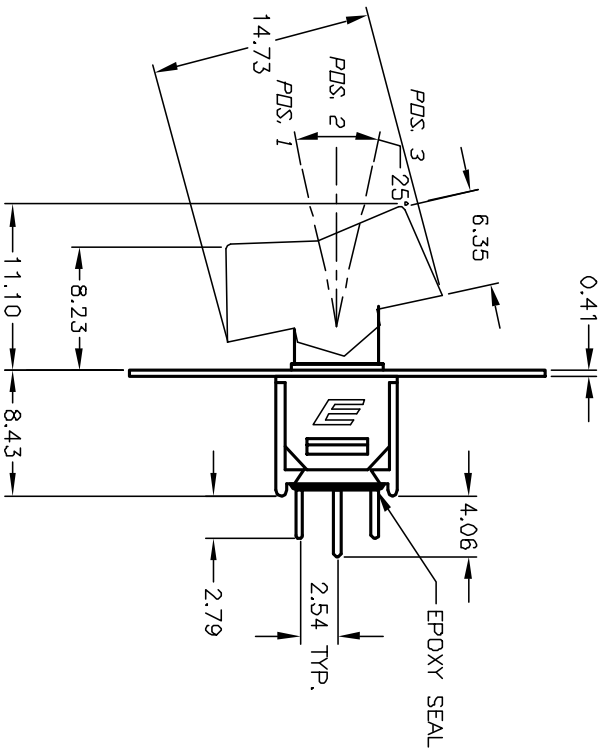
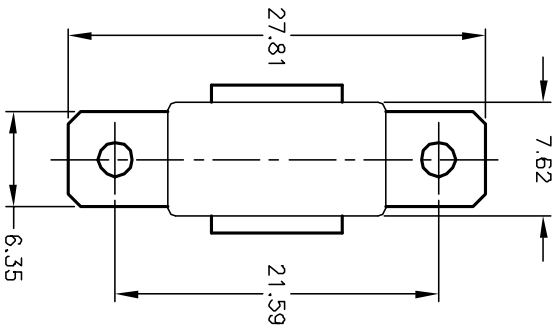
RECOMMEND PANEL MOUNTING



CIRCUIT: DPDT

CONTACT CONFIGURATION

SWITCH FUNCTION		
PDS. 1	PDS. 2	PDS. 3
DN	OFF	DN
2-3-5-6	DPEN	2-1-5-4



NOTES:

1. ALL DIMENSIONS IN MM
2. GENERAL TOLERANCE: X.X=±0.4
X.XX=±0.25
3. TERM. NOS. FOR REFERENCE ONLY.
4. RATING: 3 Amps @120 VAC or 28 VDC; 1 Amp @250 VAC.

REV. A	ECN No. 12972	RELEASED FOR PRODUCTION	3/28/03	AR	TITLE	SCALE	DATE	DR	DWG	REV
		DESCRIPTION	DATE	CHKD	400MDP3R1WHTM1QE	2:1	3/28/03	AR	T427000	A
<p>E-SWITCH®</p>										
<p>THE INFORMATION CONTAINED IN THIS DOCUMENT IS PROPRIETARY TO E-SWITCH AND IS NOT TO BE COPIED OR TRANSMITTED</p>										