

Excellent Integrated System Limited

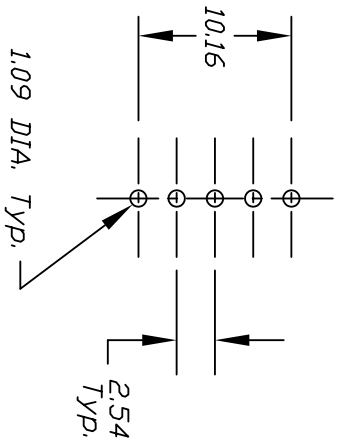
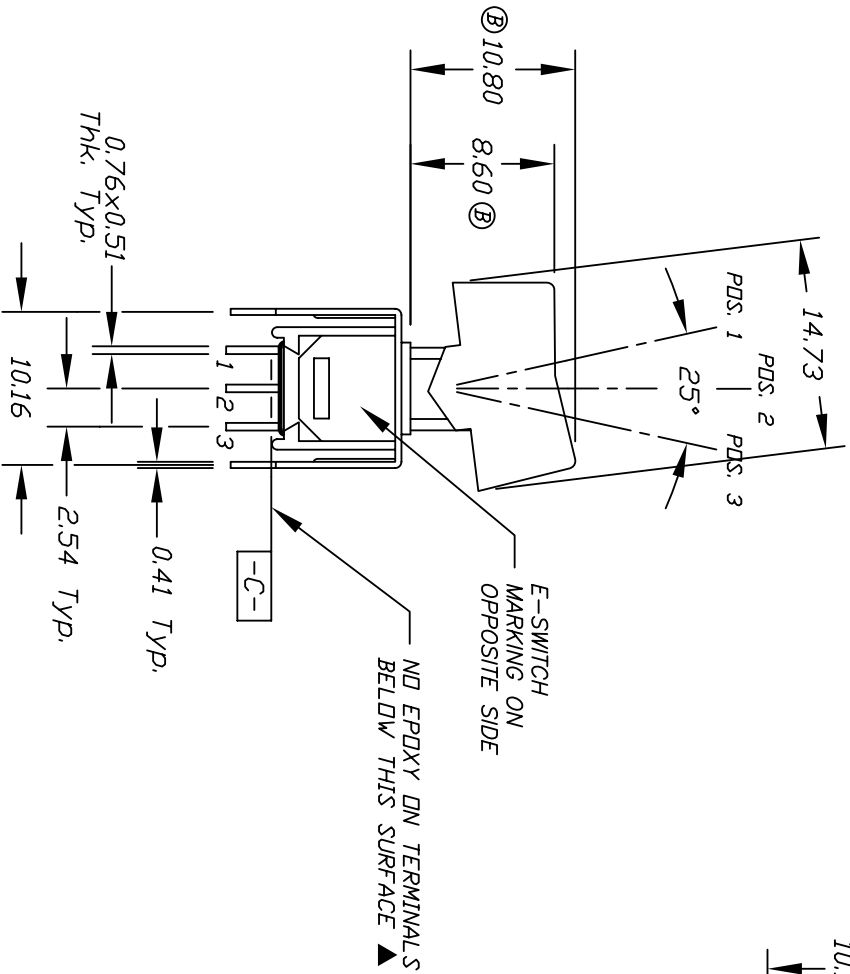
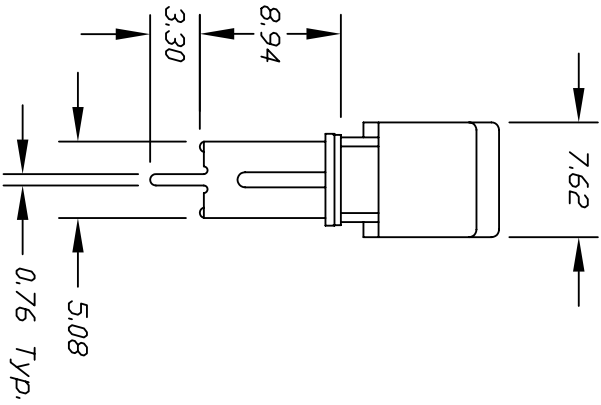
Stocking Distributor

Click to view price, real time Inventory, Delivery & Lifecycle Information:

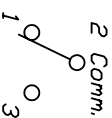
[E-Switch](#)
[400MSP1R1BLKVS2QE](#)

For any questions, you can email us directly:

sales@integrated-circuit.com



RECOMMEND P.C.B. LAYOUT



CIRCUIT: SPDT
 CONTACT CONFIGURATION

SWITCH FUNCTION		
POS. 1	POS. 2	POS. 3
DN	NONE	DN
2-3	DPEN	2-1

NOTES:

1. ALL DIMENSIONS IN MM
2. GENERAL TOLERANCE: 0.0=±0.4
0.00=±0.25
3. RATING: 3 Amps @120VAC or 28VDC; 1.5 Amp @250VAC.
4. ELECTRICAL LIFE: 30,000 make-and-break cycles at full load.
5. INSULATION RESISTANCE: 1,000M Ohms min.
6. DIELECTRIC STRENGTH: 1,000 V RMS @sea level.
7. OPERATING TEMP.: -30°C to 85°C

REV. B	ECN No. 10214	REVISED & REDRAWN	DATE 5/11/99	CHKD
DESCRIPTION				
THE INFORMATION CONTAINED IN THIS DOCUMENT IS PROPRIETARY TO E-SWITCH AND IS NOT TO BE COPIED OR TRANSFERRED				

TITLE				
400 MSP-1 R1/B1K, VS2 Q E				
SCALE 2:1	DATE 7/30/96	DR MM	DWG T411010	REV B

E-SWITCH®