

## Excellent Integrated System Limited

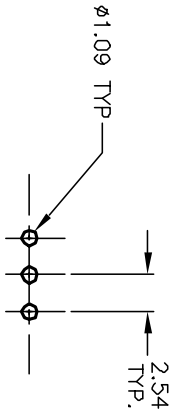
Stocking Distributor

Click to view price, real time Inventory, Delivery & Lifecycle Information:

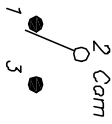
[E-Switch](#)  
[400MSP4R1BLKM2RE](#)



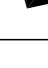
For any questions, you can email us directly:

[sales@integrated-circuit.com](mailto:sales@integrated-circuit.com)

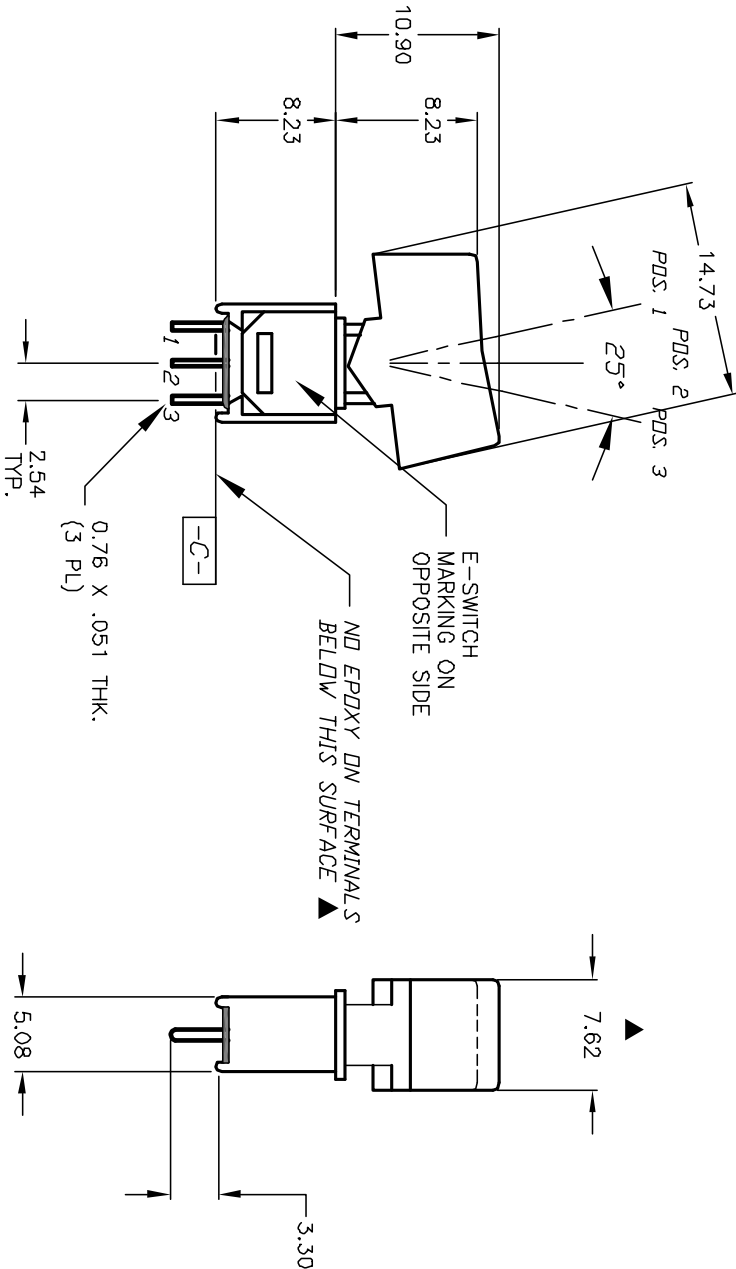


RECOMMENDED P.C.B. LAYOUT



SWITCH FUNCTION		
POS. 1	POS. 2	POS. 3
		
<DN>	DEF	<DN>
2-3	OPEN	2-1

( )=Momentary



NOTES:

1. ALL DIMENSIONS IN MM
2. GENERAL TOLERANCE: X.X=±0.4  
X.XX=±0.25
3. TERM. NOS. FOR REF. ONLY
4. CONTACT RATING: 0.4VA @20V AC or DC max.
5. FIXED TERMINAL & MOVING CONTACT:  
Copper alloy w/Gold plate over Nickel plate.
6. ELECTRIC LIFE: 30,000 make-and-break cycles at full load.
7. INSULATION RESISTANCE: 1,000 M ohm min.
8. DIELECTRIC STRENGTH: 1,000 V RMS @sea level.
9. OPERATING TEMP.: -30°C to +85°C

REV.	ECN No.	DESCRIPTION	DATE	CHKD
A	12447	RELEASED	10/3/02	CB

TITLE	SCALE	DATE	DR	DWG	REV
400 WSP-4 R1 (BLK) M2 RE (GOLD CONTACTS)	2:1	10/3/02	CB	T414003	A

**E-SWITCH®**

THE INFORMATION CONTAINED IN THIS DOCUMENT IS PROPRIETARY TO E-SWITCH AND IS NOT TO BE COPIED OR TRANSMITTED