

## Excellent Integrated System Limited

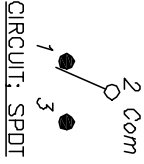
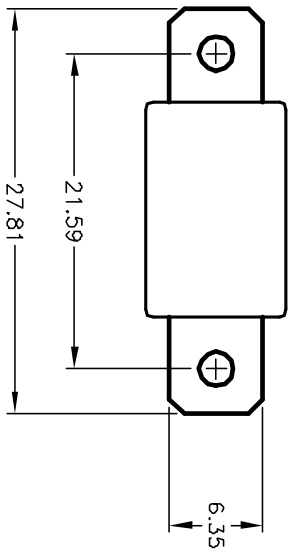
Stocking Distributor

Click to view price, real time Inventory, Delivery & Lifecycle Information:

[E-Switch](#)  
[400MSP5R1BLKM1QE](#)

For any questions, you can email us directly:

[sales@integrated-circuit.com](mailto:sales@integrated-circuit.com)

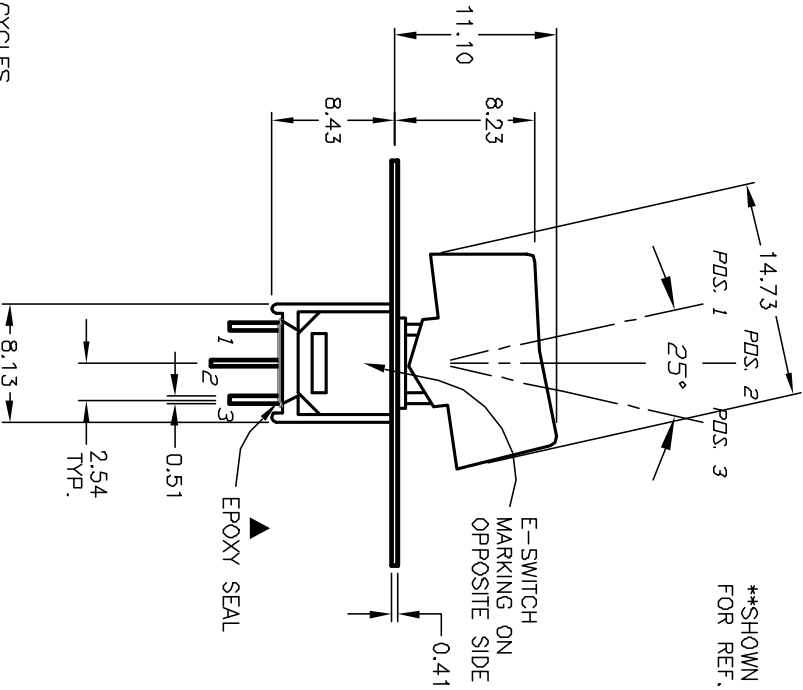


SWITCH FUNCTION		
POS. 1	POS. 2	POS. 3
DN	OFF	(DN)
2-3	OPEN	2-1

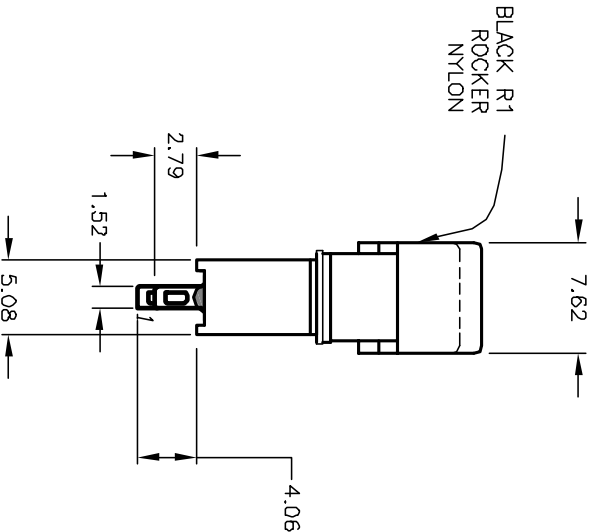
( ) =Momentary

NOTES:

1. ALL DIMENSIONS IN MM
2. GENERAL TOLERANCE: X.X=±0.4  
X.XX=±0.25
3. TERM. NOS. FOR REF. ONLY
4. RATING: 3A @120V AC or 2BVDC;  
1A @250V AC
5. FIXED TERMINAL/MOVING CONTACT:  
COPPER ALLOY W/Silver plate  
AT FULL LOAD.
6. ELECTRICAL LIFE: 30,000 MAKE-AND-BREAK CYCLES
7. INSULATION RESISTANCE: 1000M OHM TYPICAL
8. DIELECTRIC STRENGTH: 1,000 V RMS @SEA LEVEL
9. OPERATING TEMP.: -30°C to 85°C



\*\*SHOWN ACTUATED FOR REF. ONLY



REV.	ECN No.	DESCRIPTION	DATE	CHKD
A	12689	RELEASED	1/3/03	CB

TITLE	SCALE	DATE	DR	DWG	REV
400 MSP-5 R1 (BLK) M1 QE	2:1	1/3/03	CB	T415008	A

**E-SWITCH®**

THE INFORMATION CONTAINED IN THIS DOCUMENT IS PROPRIETARY TO E-SWITCH AND IS NOT TO BE COPIED OR TRANSMITTED