

Excellent Integrated System Limited

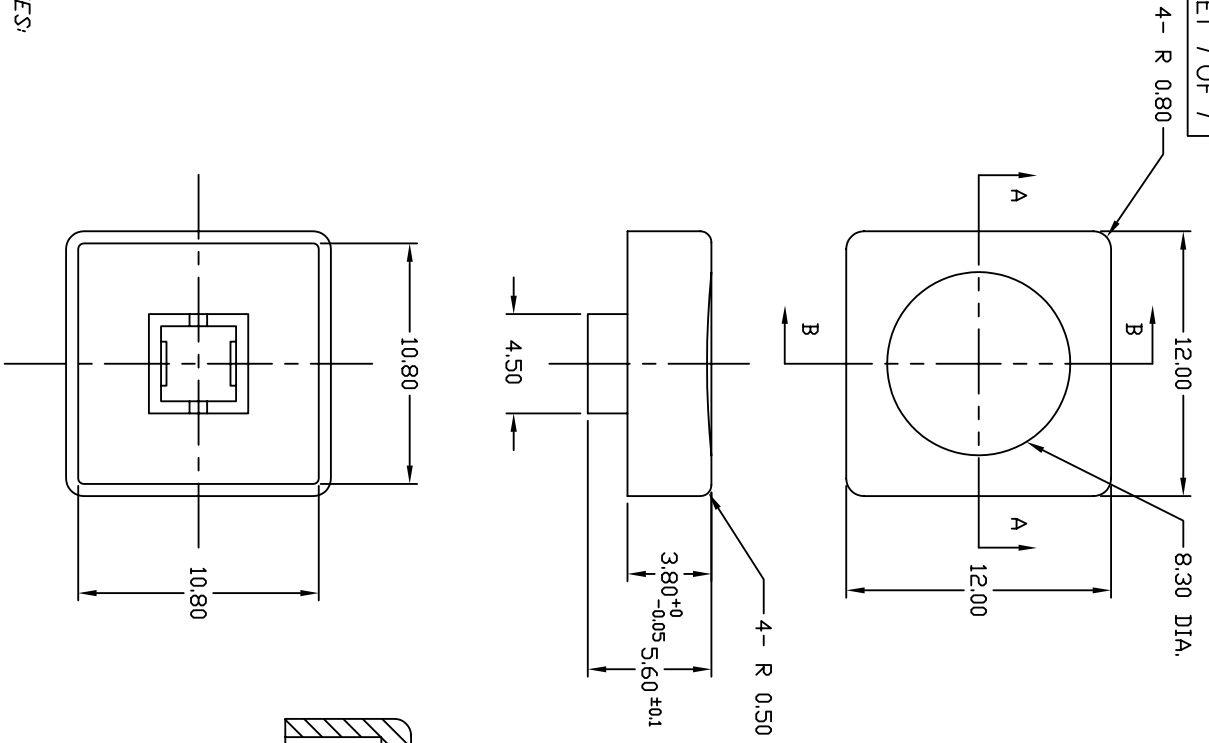
Stocking Distributor

Click to view price, real time Inventory, Delivery & Lifecycle Information:

[E-Switch](#)
[4JBLU](#)

For any questions, you can email us directly:

sales@integrated-circuit.com

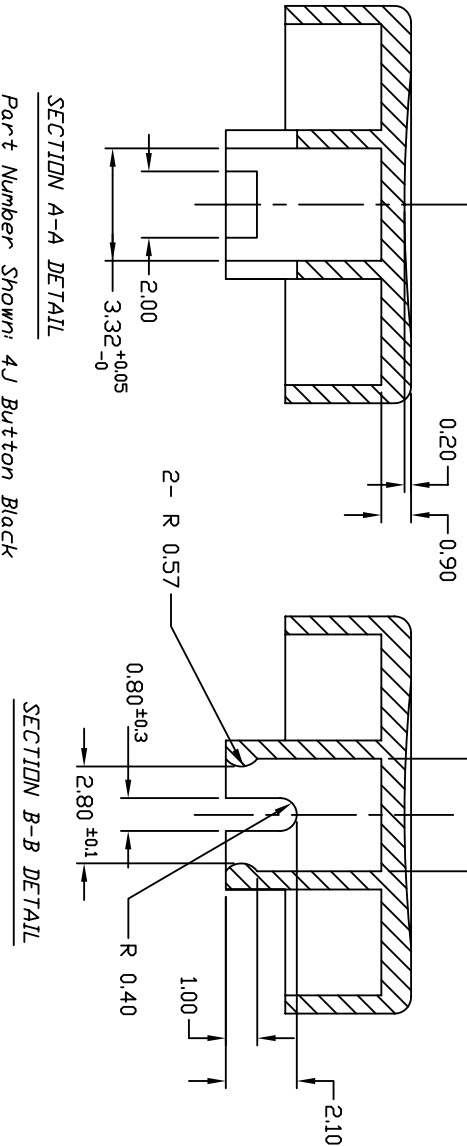


NOTES:

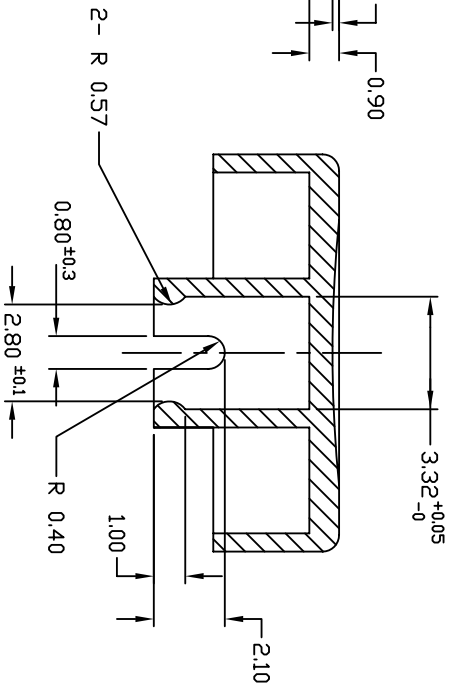
1. ALL DIMENSIONS IN MM
2. BUTTON MATERIAL: ABS LUCKY XR-401
3. BUTTON COLOR: BLUE

REV.	ECN No.	DESCRIPTION	DATE	CHKD
A	13423	RELEASED FOR PRODUCTION	9/4/03	AR
THE INFORMATION CONTAINED IN THIS DOCUMENT IS PROPRIETARY TO E-SWITCH AND IS NOT TO BE COPIED OR TRANSFERRED				

SECTION A-A DETAIL
Part Number Shown: 4J Button Black



SECTION B-B DETAIL



E-SWITCH®

TITLE
4JBLU BUTTON

SCALE
3:1

DATE
9/4/03

DR
AR

DWG
P001054

REV
A