

## Excellent Integrated System Limited

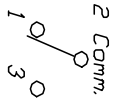
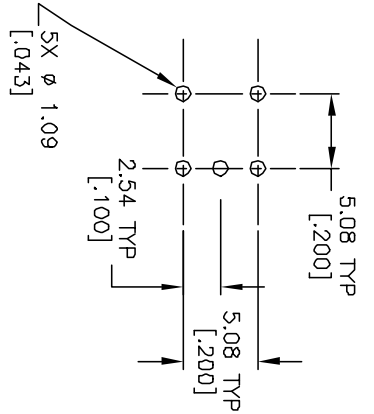
Stocking Distributor

Click to view price, real time Inventory, Delivery & Lifecycle Information:

[E-Switch](#)  
[500ASSP3M6QE](#)

For any questions, you can email us directly:

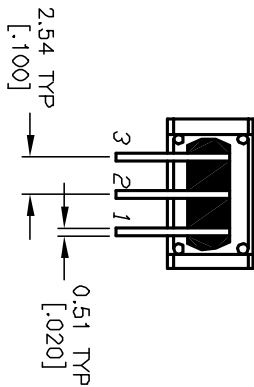
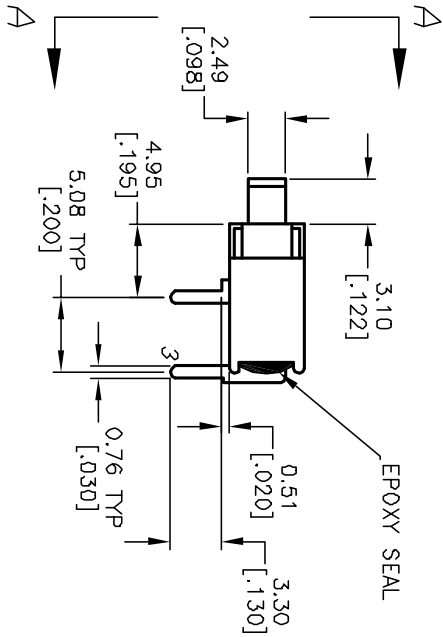
[sales@integrated-circuit.com](mailto:sales@integrated-circuit.com)



CONTACT CONFIGURATION

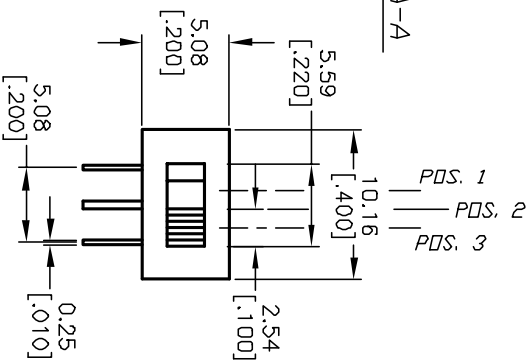
SPDT

RECOMMENDED P.C.B. LAYOUT



VIEW A-A

SWITCH FUNCTION		
PDS. 1	PDS. 2	PDS. 3
DN	DF-F	DN
2-1	DPEN	2-3



NOTES:

- ALL DIMENSIONS IN MM [INCH]
- GENERAL TOLERANCE: X.X=±0.4 X.XX=±0.25
- TERM. NOS. FOR REF. ONLY
- RATING: 3 AMPS RESISTIVE LOAD @ 120 VAC OR 2BVDC 1 AMPS RESISTIVE LOAD @ 250VAC
- FIXED AND MOVING CONTACTS:  
COPPER ALLOY W/ SILVER PLATING
- ELECTRICAL LIFE: 30,000 ACTUATIONS AT FULL LOAD
- INSULATION RESISTANCE: 1,000MΩ MIN.
- DIELECTRIC STRENGTH: 1,000V RMS @sea level.
- OPERATING TEMP.: -30°C to 85°C.
- ▲ DENOTES CRITICAL PARAMETER.

REV.	ECN No.	DESCRIPTION	DATE	CHKD
A	13165	RELEASED FOR PRODUCTION	5/28/03	AR

TITLE				
500ASSP3M6QE				
SCALE	DATE	DR	DWG	REV
2:1	5/28/03	AR	T551305	A

**E-SWITCH®**

THE INFORMATION CONTAINED IN THIS DOCUMENT IS PROPRIETARY TO E-SWITCH AND IS NOT TO BE COPIED OR TRANSFERRED