

Excellent Integrated System Limited

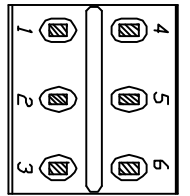
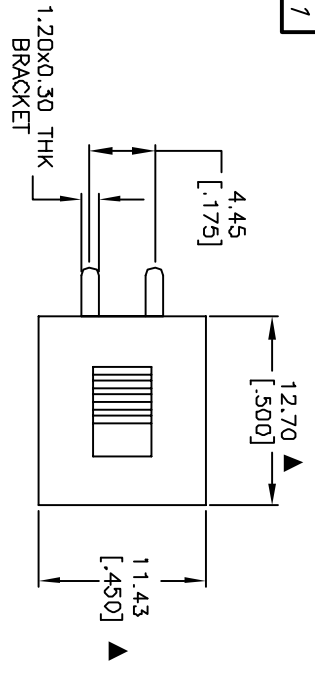
Stocking Distributor

Click to view price, real time Inventory, Delivery & Lifecycle Information:

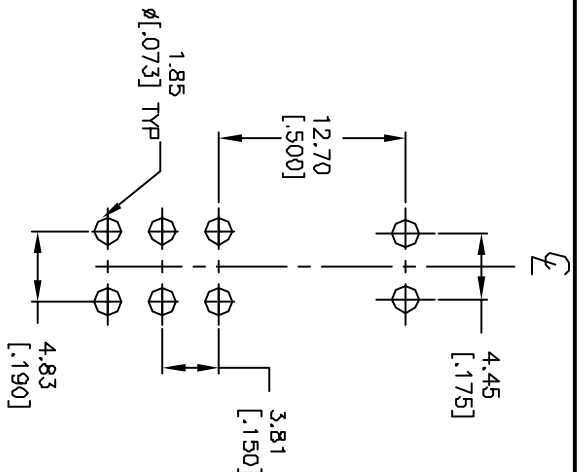
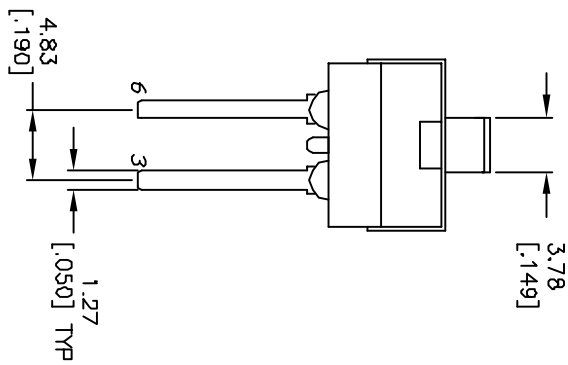
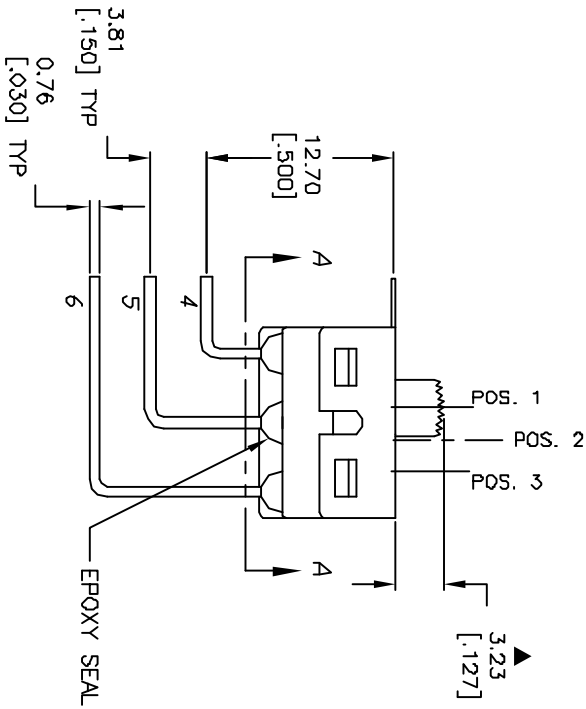
[E-Switch](#)
[500SDP1S4M7QEA](#)

For any questions, you can email us directly:

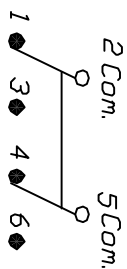
sales@integrated-circuit.com



SECTION A-A
BRACKET NOT SHOWN



RECOMMEND P.C.B. LAYOUT



CIRCUIT: DPDT
CONTACT CONFIGURATION

SWITCH FUNCTION		POS. 1	POS. 2	POS. 3
2-1, 5-4	DN			
2-3, 5-6	OPEN			

- NOTES:
1. ALL DIMENSIONS IN MM [INCH]
 2. GENERAL TOLERANCE: 0.0=±0.4
0.00=±0.25
 3. TERM. NDS. FOR REF. ONLY
 4. RATING: 5A @120VAC or 2BVDC; 2A @250VAC.
 5. TRAVEL TO MAKE: 2.16 [0.85]
 6. ▲ DENOTES CRITICAL PARAMETER.

REV.	ECN NO.	DESCRIPTION	DATE	CHKD
A	13256	RELEASED FOR PRODUCTION	6/27/03	AR

TITLE	SCALE	DATE	DR	DWG	REV
500SDP1S4M7QEA	2:1	6/27/03	AR	T522007	A

E-SWITCH®

THE INFORMATION CONTAINED IN THIS DOCUMENT IS PROPRIETARY TO E-SWITCH AND IS NOT TO BE COPIED OR TRANSFERRED