

Excellent Integrated System Limited

Stocking Distributor

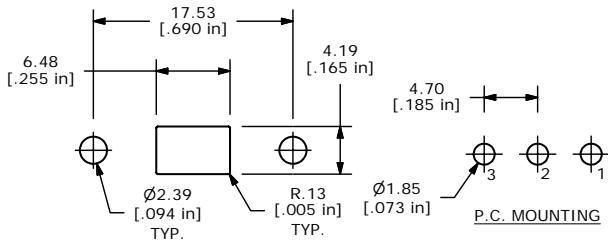
Click to view price, real time Inventory, Delivery & Lifecycle Information:

[E-Switch](#)
[500SSP1S1M2REB](#)

For any questions, you can email us directly:

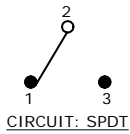
sales@integrated-circuit.com

SHEET 1 OF 1

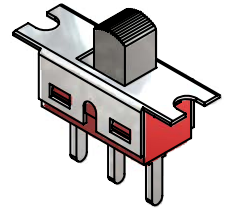
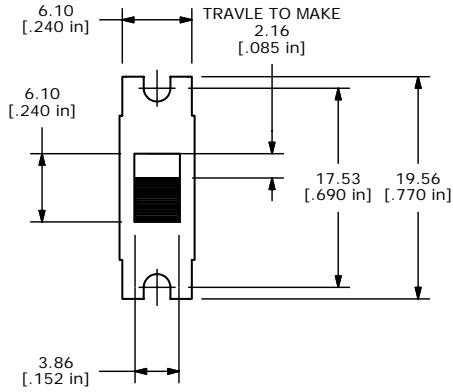


RECOMMENDED PANEL CUTOUT

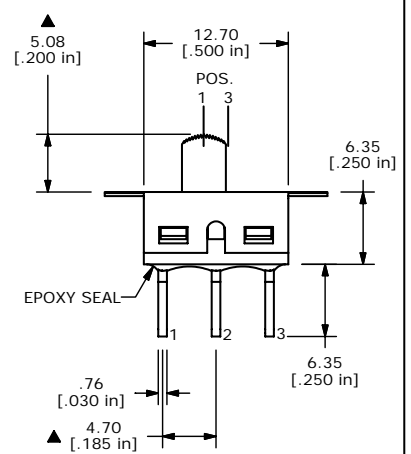
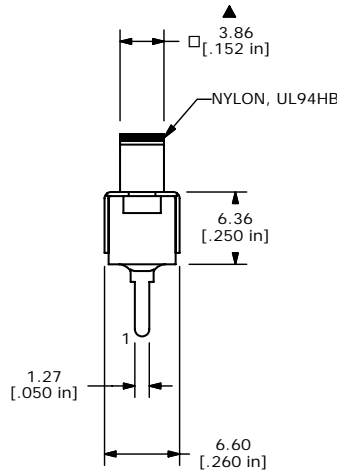
SWITCH FUNCTION		
POS. 1	POS. 2	POS. 3
ON	NONE	ON
2-1	OPEN	2-3



- NOTE:
1. ALL DIMENSIONS IN MM [INCH]
 2. GENERAL TOLERANCE: X.X=±0.4 X.XX=±0.25
 3. TERMINAL NUMBERS FOR REF ONLY
 - ▲4. PLATING MATERIAL: GOLD
 5. RATING: 0.4 (VA) MAX. @20V MAX.
 6. ELECTRIC LIFE: 30,000 MAKE AND BREAK CYCLES.
 7. INSULATION RESISTANCE: 1,000 MEGA-OHM MIN.
 8. DIELECTRIC STRENGTH: 1,000 V RMS @SEA LEVEL.
 9. OPERATING TEMP.: -30°C to 85°C
 10. ▲ DENOTES CRITICAL PARAMETER.
 11. PACKAGE: TRAY - 630pcs/TRAY
 12. 2002/95/EC (ROHS) COMPLIANT



ISOMETRIC



A	16834	RELEASED FOR PRODUCTION	1/9/07	TN
REV	PCR NO	DESCRIPTION	DATE	BY

THE INFORMATION CONTAINED IN THIS DOCUMENT IS PROPRIETARY TO E-SWITCH AND IS NOT TO BE COPIED OR TRANSFERRED

TITLE 500SSP1S1M2REB				
SCALE 2:1	DATE 1/9/2007	DR TN	DWG T511067	REV A