

## Excellent Integrated System Limited

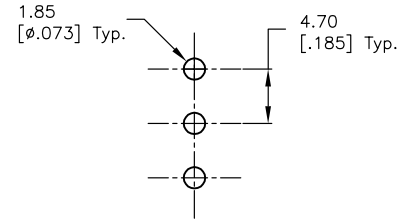
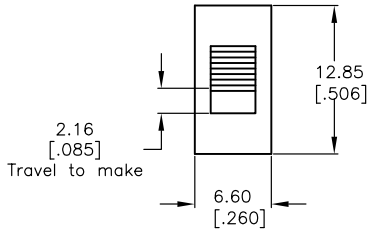
Stocking Distributor

Click to view price, real time Inventory, Delivery & Lifecycle Information:

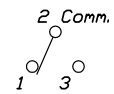
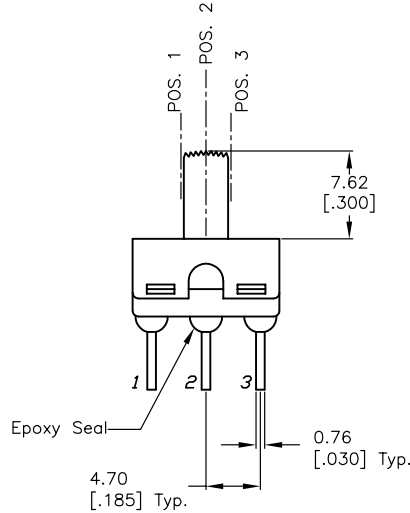
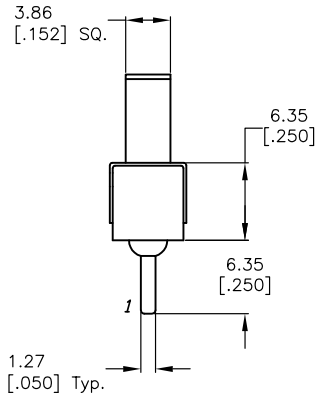
[E-Switch](#)  
[500SSP1S2M2REA](#)

For any questions, you can email us directly:

[sales@integrated-circuit.com](mailto:sales@integrated-circuit.com)



RECOMMEND P.C.B. LAYOUT



CIRCUIT: SPDT CONTACT CONFIGURATION

SWITCH FUNCTION		
POS. 1	POS. 2	POS. 3
DN	NONE	DN
2-1	OPEN	2-3

NOTES:

1. ALL DIMENSIONS IN MM [INCH]
2. GENERAL TOLERANCE: 0.0±0.4  
0.00±0.25
3. TERM. NOS. FOR REF. ONLY
4. RATING: 0.4(VA) max. @20V max. (AC or DC)
5. CONTACT RESISTANCE: 10m ohm typical.
6. ELECTRICAL LIFE: 30,000 Actuations at full load.
7. INSULATION RESISTANCE: 1,000 M ohm min.
8. DIELECTRIC STRENGTH: 1,000 V RMS @sea level.
9. OPERATING TEMP.: -30°C to 85°C.

**E-SWITCH®**

TITLE					500 SSP-1 S2 M2 R E A				
SCALE	DATE	DR	DWG	REV					
2:1	7/18/00	MM	T511065	A					

REV.	ECN No.	DESCRIPTION	DATE	CHKD
A	10785	RELEASED FOR PRODUCTION	7/18/00	MM

THE INFORMATION CONTAINED IN THIS DOCUMENT IS PROPRIETARY TO E-SWITCH AND IS NOT TO BE COPIED OR TRANSFERRED