

Excellent Integrated System Limited

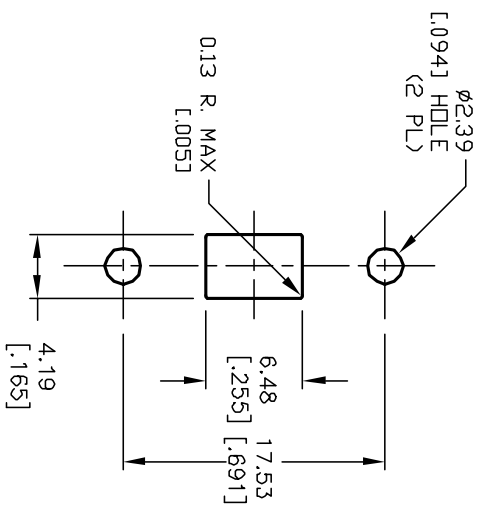
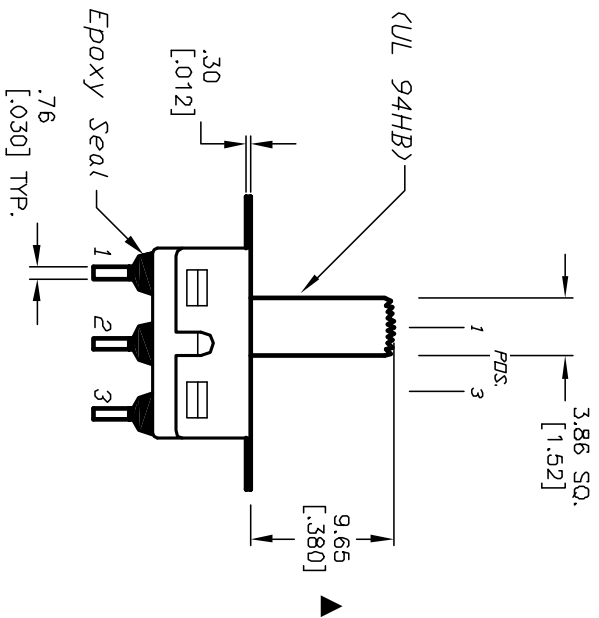
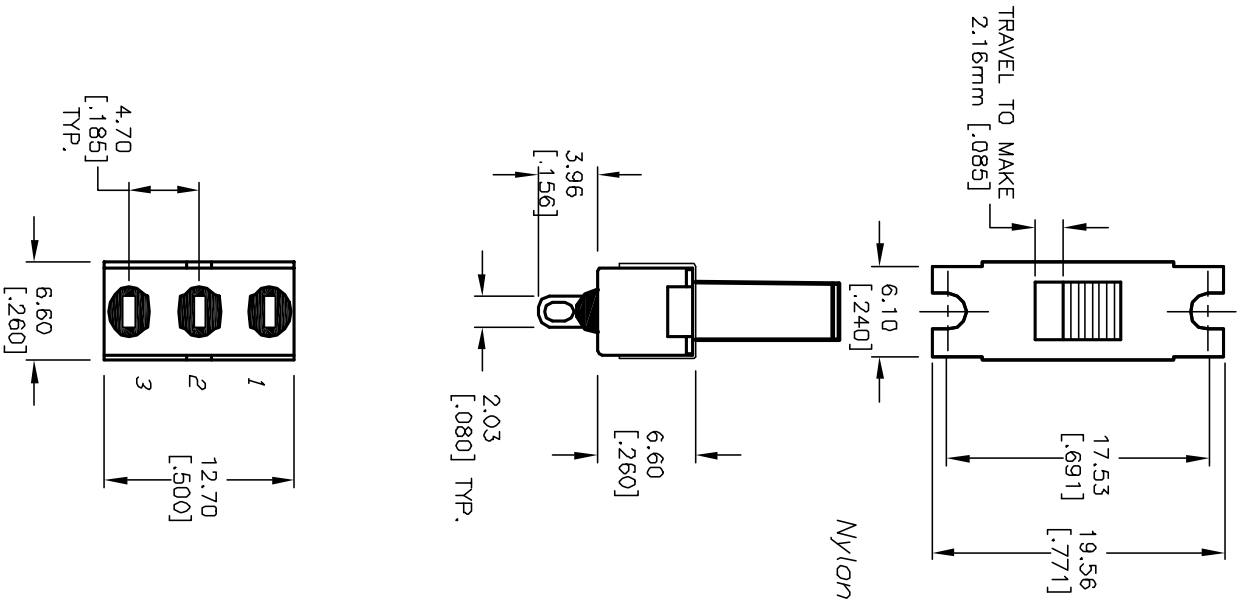
Stocking Distributor

Click to view price, real time Inventory, Delivery & Lifecycle Information:

[E-Switch](#)
[500SSP1S3M1QEB](#)

For any questions, you can email us directly:

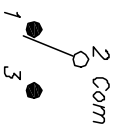
sales@integrated-circuit.com



NOTES:

1. ALL DIMENSIONS IN MM [INCH]
2. GENERAL TOLERANCE: X.X=±0.4 X.XX=±0.25
3. TERM NOS. FOR REF. ONLY
4. RATING: 5A @120VAC or 28VDC: 2A @250VAC
5. CONTACT MATERIAL:
Copper Alloy w/Silver plate
6. ELECTRICAL LIFE: 30,000 ACTUATIONS @Full Load
7. INSULATION RESISTANCE: 1000 Mega Ohms min.
8. DIELECTRIC STRENGTH: 1000V RMS @SEA LEVEL.
9. OPERATING TEMPERATURE: -30°C TO 85°C

CIRCUIT: SPDT



SWITCH FUNCTION

	PDS. 1	PDS. 2	PDS. 3
DN			
2-1	DN	NONE	DN
2-3	DN	OPEN	2-3

E-SWITCH®

500 SSP-1 S3 M1 Q E B

TITLE

SCALE
2:1

DATE
4/29/02

DR
CJB

DWG
T513003

REV
B

REV. B 12100
ECN No. 12100

REVISED AND REDRAWN
DESCRIPTION
DATE 4/29/02
CHKD CJB

THE INFORMATION CONTAINED IN THIS DOCUMENT IS PROPRIETARY TO E-SWITCH AND IS NOT TO BE COPIED OR TRANSMITTED