

Excellent Integrated System Limited

Stocking Distributor

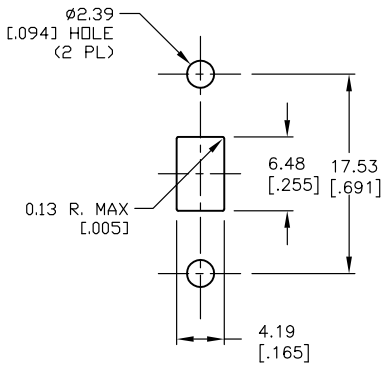
Click to view price, real time Inventory, Delivery & Lifecycle Information:

[E-Switch](#)
[500SSP1S4M1QEB](#)

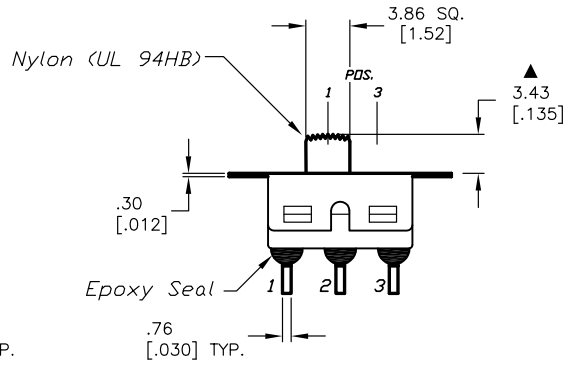
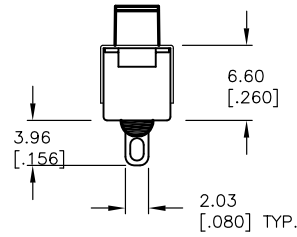
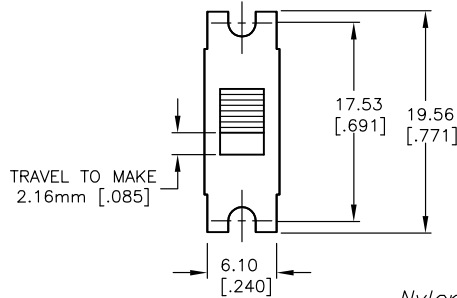
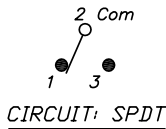
For any questions, you can email us directly:

sales@integrated-circuit.com

SHEET OF

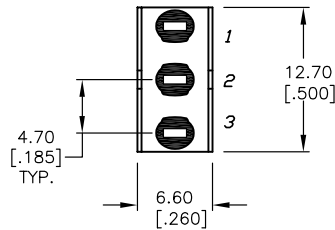


RECOMMENDED PANEL CUTOUT



NOTES:

1. ALL DIMENSIONS IN MM [INCH]
2. GENERAL TOLERANCE: X.X=±0.4
X.XX=±0.25
3. TERM NOS. FOR REF. ONLY
4. RATING: 5A @120VAC or 28VDC:
2A @250VAC
5. CONTACT MATERIAL:
Copper ALloy w/Silver plate
6. ELECTRICAL LIFE: 30,000 ACTUATIONS @Full Load
7. INSULATION RESISTANCE: 1000 Mega Ohms min.
8. DIELECTRIC STRENGTH: 1000V RMS @SEA LEVEL.
9. OPERATING TEMPERATURE: -30°C TO 85°C
10. ▲ DENOTES CRITICAL PARAMETER.



SWITCH FUNCTION		
POS. 1	POS. 2	POS. 3
ON	NONE	ON
2-1	OPEN	2-3

E-SWITCH®

TITLE

500SSP1S4M1QEB

A	13789	RELEASED FOR PRODUCTION	2/20/04	AR
REV.	ECN No.	DESCRIPTION	DATE	CHKD

THE INFORMATION CONTAINED IN THIS DOCUMENT IS PROPRIETARY TO E-SWITCH AND IS NOT TO BE COPIED OR TRANSFERRED

SCALE 2:1

DATE 2/20/04

DR AR

DWG T514002

REV A