

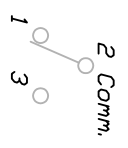
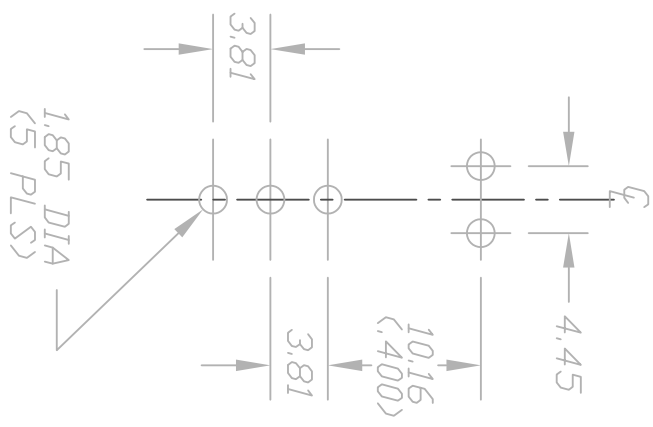
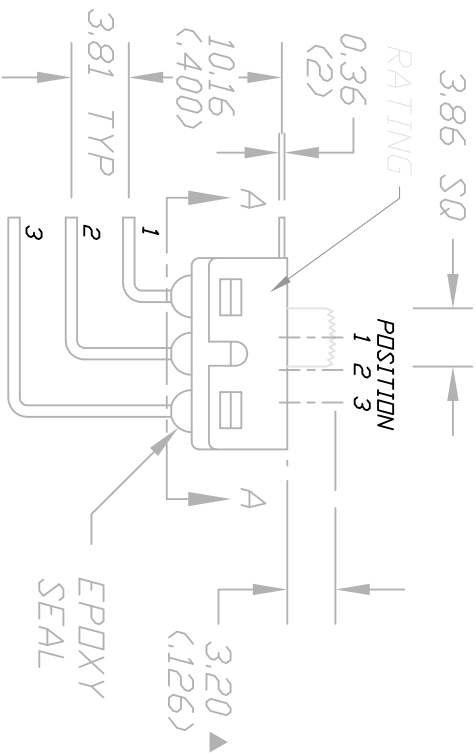
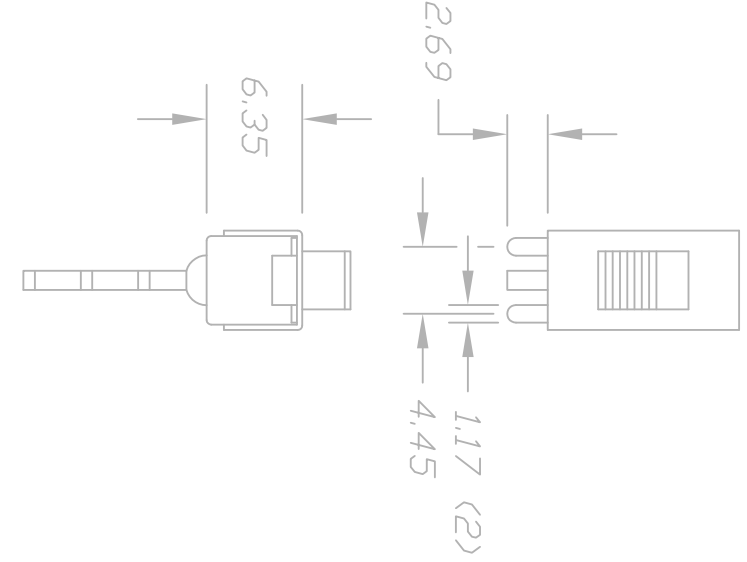
Excellent Integrated System Limited

Stocking Distributor

Click to view price, real time Inventory, Delivery & Lifecycle Information:

[E-Switch](#)
[500SSP1S4M7REA](#)

For any questions, you can email us directly:
sales@integrated-circuit.com



CONTACT CONFIGURATION

POS 1	POS 2	POS 3
DN	NONE	DN
2-1	OPEN	2-3

SECTION A-A

NOTES:

1. ALL DIMENSIONS IN MM (INCHES)
2. TERM. NOS. FOR REF ONLY

REV.	DESCRIPTION	DATE	CHKD
C	REMOVED GATE NOTES	11/21/14	

TOLERANCES	
0.0	±0.4
0.00	±0.25

SCALE	DATE	DR	DWG	REV
2:1	3/30/95	PS	T511014	C

E-SWITCH

500SSP1S4M7RE

THE INFORMATION CONTAINED IN THIS DOCUMENT IS PROPRIETARY TO E-SWITCH AND IS NOT TO BE COPIED OR TRANSFERRED