

Excellent Integrated System Limited

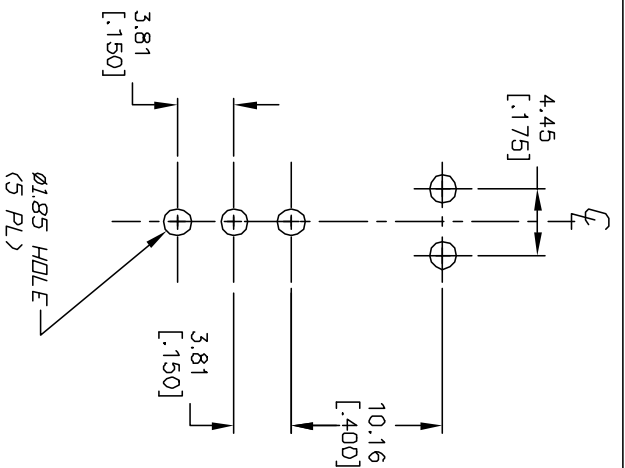
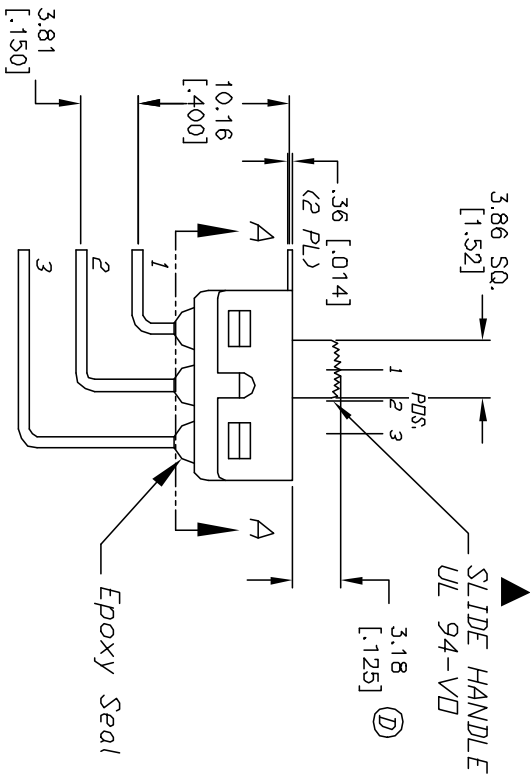
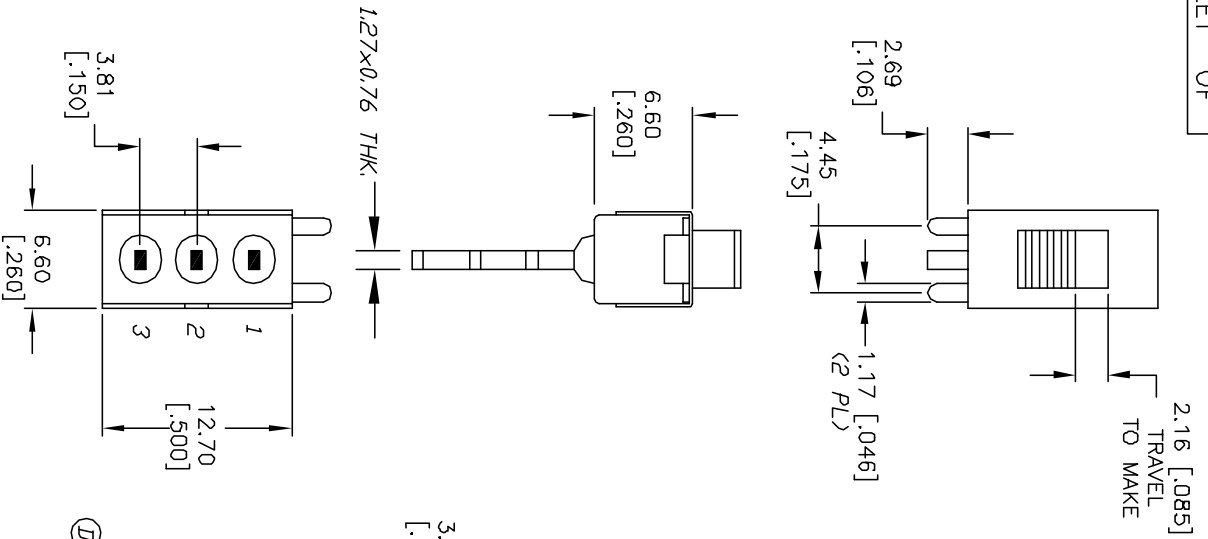
Stocking Distributor

Click to view price, real time Inventory, Delivery & Lifecycle Information:

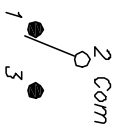
[E-Switch](#)
[500SSP3S4M7QEA](#)

For any questions, you can email us directly:

sales@integrated-circuit.com



RECOMMENDED P.C.B. HOLES



CIRCUIT: SPDT

NOTES:

1. ALL DIMENSIONS IN MM [INCH]
2. GENERAL TOLERANCE: X.X=±0.4 X.XX=±0.25
3. TERM NOS. FOR REF. ONLY
4. RATING: 5A @120VAC or 28VDC (Resistive Load)
5. ACTUATOR MATERIAL: Nylon 6/6 UL 94-V0
6. DESIGNATE MAJOR: ▲

SWITCH FUNCTION		
PDS. 1	PDS. 2	PDS. 3
DN	DN	DN
DN	DN	DN
2-1	OPEN	2-3

E-SWITCH®

D	11547	REVISED ACTUATOR	6/22/01	CJB
REV.	ECN No.	DESCRIPTION	DATE	CHKD

TITLE	500 SSP-3 S4 M7 Q E A	DATE	2/12/01	DR	CJB	DWG	TS12002	REV	D
SCALE	2:1	ADTRAN P/N#	3502.002						

THE INFORMATION CONTAINED IN THIS DOCUMENT IS PROPRIETARY TO E-SWITCH AND IS NOT TO BE COPIED OR TRANSMITTED