

## Excellent Integrated System Limited

Stocking Distributor

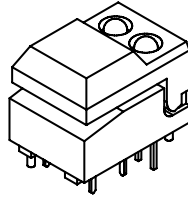
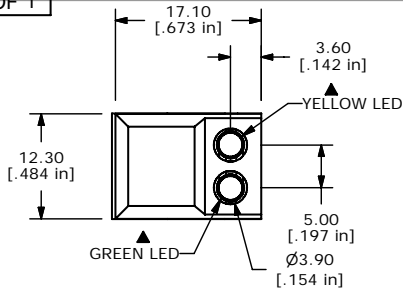
Click to view price, real time Inventory, Delivery & Lifecycle Information:

[E-Switch](#)  
[5501MBLKYELGRN](#)

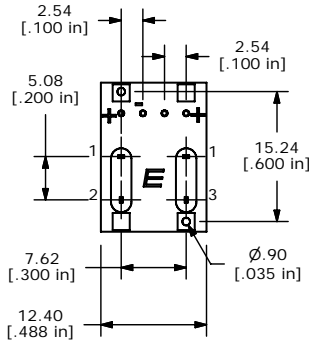
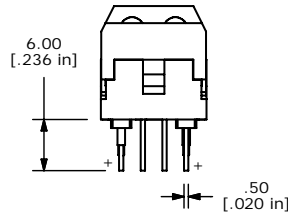
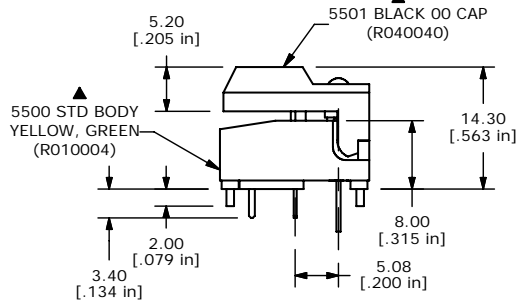
For any questions, you can email us directly:

[sales@integrated-circuit.com](mailto:sales@integrated-circuit.com)

SHEET 1 OF 1



ISOMETRIC



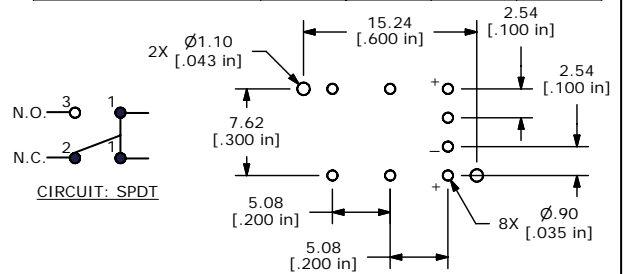
- NOTE:
1. ALL DIMENSIONS IN MM [INCH]
  2. GENERAL TOLERANCE: X.X=±0.4 X.XX=±0.25
  3. TERMINAL NUMBERS FOR REF ONLY
  4. RATINGS: 30mA @ 12V
  5. CONTACTS: FIXED AND MOVING: COPPER ALLOY W/GOLD PLATE
  6. OPERATING FORCE: 150 +/- 50 grams
  7. OPERATING TRAVEL: 1.5MM ± 0.3MM
  8. ▲ DENOTES CRITICAL PARAMETER.

YELLOW LED

PARAMETERS	SYMBOL	MAX.	MIN.	TYP.	UNITS
POWER DISSIPATION	P <sub>d</sub>	80	--		mW
AVE FORWARD CURRENT	I <sub>AF</sub>	30	--		mA
PEAK FORWARD CURRENT	I <sub>PF</sub>	80	--		mA
FORWARD VOLTAGE	V <sub>F</sub>	2.8	1.8	2.2	V
REVERSE VOLTAGE	V <sub>R</sub>	5	--		V
REVERSE CURRENT	I <sub>R</sub>	100	--		μA
EMISSION WAVELENGTH	λ <sub>P</sub>			590	nm
LUMINOUS INTENSITY	I <sub>F</sub>		8.0	15.0	mcd

GREEN LED

PARAMETERS	SYMBOL	MAX.	MIN.	TYP.	UNITS
POWER DISSIPATION	P <sub>d</sub>	100	--		mW
AVE FORWARD CURRENT	I <sub>AF</sub>	30	--		mA
PEAK FORWARD CURRENT	I <sub>PF</sub>	120	--		mA
FORWARD VOLTAGE	V <sub>F</sub>	2.8	1.9	2.2	V
REVERSE VOLTAGE	V <sub>R</sub>	5	--		V
REVERSE CURRENT	I <sub>R</sub>	100	--		μA
EMISSION WAVELENGTH	λ <sub>P</sub>			570	nm
LUMINOUS INTENSITY	I <sub>F</sub>		6.0	15.0	mcd



A	15114	NEW RELEASE	7/28/05	RC
REV	PCR NO	DESCRIPTION	DATE	BY

THE INFORMATION CONTAINED IN THIS DOCUMENT IS PROPRIETARY TO E-SWITCH AND IS NOT TO BE COPIED OR TRANSFERRED

TITLE 5501MBLKYELGRN				
SCALE 1:1	DATE 7/28/2005	DR RC	DWG XR0242P	REV A