

## Excellent Integrated System Limited

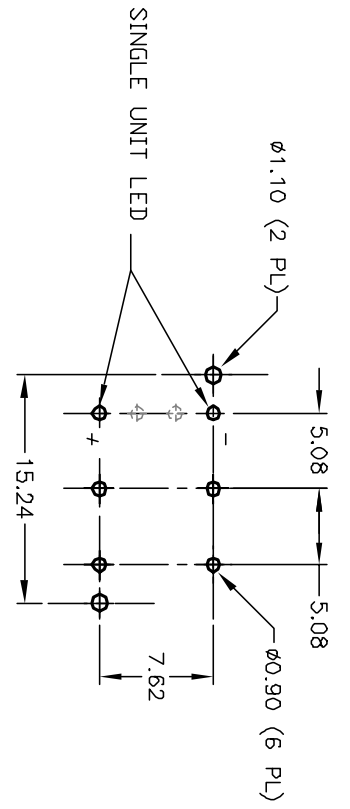
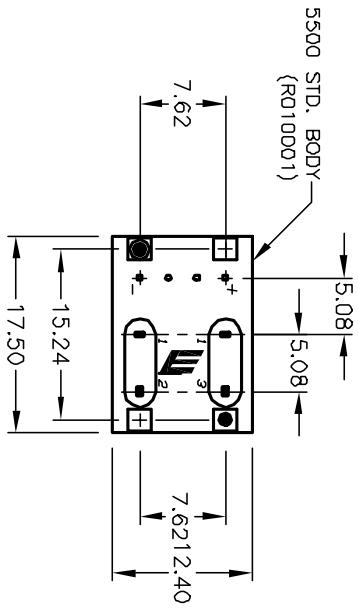
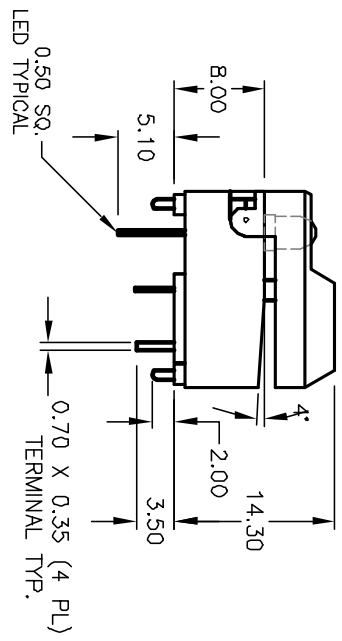
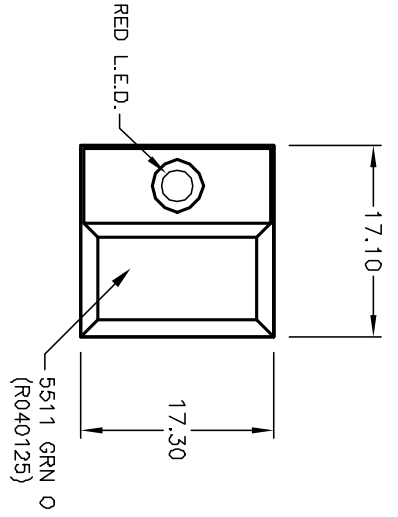
Stocking Distributor

Click to view price, real time Inventory, Delivery & Lifecycle Information:

[E-Switch](#)  
[5511MGRNRED](#)

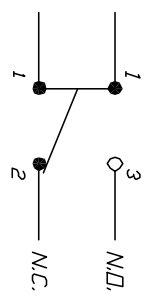
For any questions, you can email us directly:  
[sales@integrated-circuit.com](mailto:sales@integrated-circuit.com)

SHEET OF



RECOMMENDED P.C.B. LAYOUT

| LED SPECIFICATION    | SYMBOL      | RED L.E.D.         | UNITS |
|----------------------|-------------|--------------------|-------|
| POWER DISSIPATION    | $P_D$       | MAX. 80<br>MIN. -- | mW    |
| FORWARD VOLTAGE      | $V_F$       | 2.8<br>1.9         | V     |
| REVERSE VOLTAGE      | $V_R$       | 5                  | V     |
| EMISSION WAVELENGTH  | $\lambda_p$ | 695                | nm    |
| AVE. FORWARD CURRENT | $I_{AF}$    | 30                 | mA    |
| LUMINOUS INTENSITY   | $I_v$       | 0.7                | mcd   |



CIRCUIT: SPDT CONTACT CONFIGURATION

NOTES:

1. ALL DIMENSIONS IN MM
2. GENERAL TOLERANCE: X.X=±0.4  
X.XX=±0.25
3. TERM. NO. FOR REF. ONLY
4. RATING: 12mA @24V
5. FIXED CONTACT/MOVING CONTACT: COPPER ALLOY W/GOLD PLATE
6. CONTACT BOUNCE: <5m SEC.
7. CONTACT RESISTANCE: <50milli-OHMS
8. TRAVEL: 2.5±0.2mm

**E-SWITCH**®

5511-M-7-1

|       |            |     |         |
|-------|------------|-----|---------|
| TITLE | 5511-M-7-1 |     |         |
| SCALE | DATE       | DR  | DWG     |
| 1.5:1 | 5/14/02    | CJB | XR0181P |
| REV   | A          |     |         |

|      |         |                         |         |      |
|------|---------|-------------------------|---------|------|
| REV. | ECN No. | DESCRIPTION             | DATE    | CHKD |
| A    | 12151   | RELEASED FOR PRODUCTION | 5/14/02 | CJB  |

THE INFORMATION CONTAINED IN THIS DOCUMENT IS PROPRIETARY TO E-SWITCH AND IS NOT TO BE COPIED OR TRANSMITTED