

Excellent Integrated System Limited

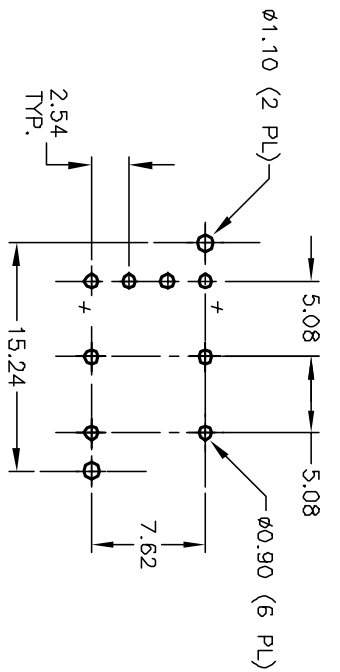
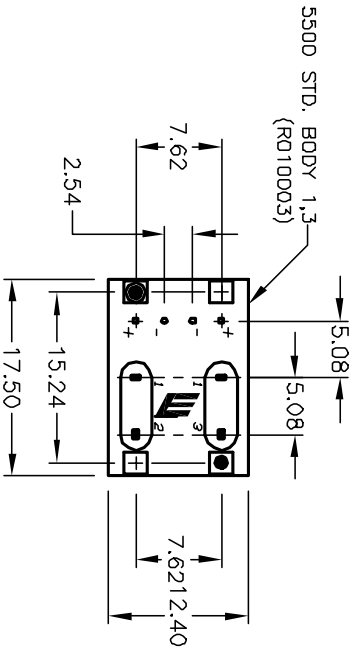
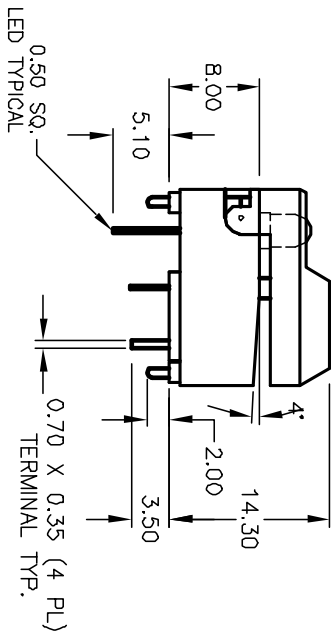
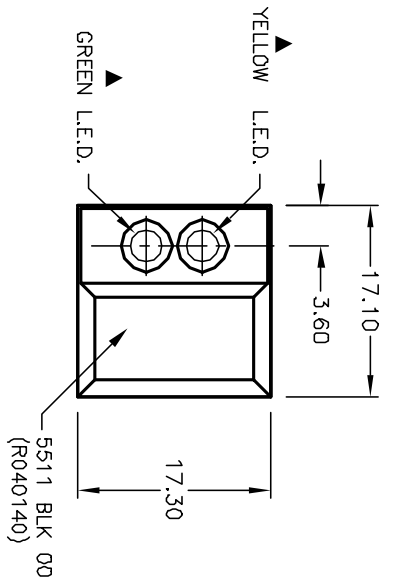
Stocking Distributor

Click to view price, real time Inventory, Delivery & Lifecycle Information:

[E-Switch](#)
[5511MBLKGRNYEL](#)

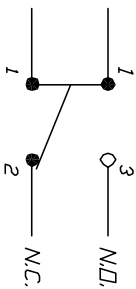
For any questions, you can email us directly:

sales@integrated-circuit.com



RECOMMENDED P.C.B. LAYOUT

| LED SPECIFICATION | SYMBOL | GREEN LED | | YEL LED | | UNITS |
|----------------------|-----------------|-----------|------|---------|------|-------|
| | | MAX. | MIN. | MAX. | MIN. | |
| POWER DISSIPATION | P _D | 100 | -- | 100 | -- | mW |
| FORWARD VOLTAGE | V _F | 2.8 | 1.9 | 2.2 | 1.8 | V |
| REVERSE VOLTAGE | V _R | 5 | 5 | 5 | 5 | V |
| EMISSION WAVELENGTH | λ _P | 570 | 570 | 570 | 590 | nm |
| AVE. FORWARD CURRENT | I _{AF} | 30 | -- | 30 | -- | mA |
| LUMINOUS INTENSITY | I _v | 6.0 | 15.0 | 5.0 | 12 | mcld |



CIRCUIT: SPDT
CONTACT CONFIGURATION

NOTES:

1. ALL DIMENSIONS IN MM
2. GENERAL TOLERANCE: X.X=±0.4
X.XX=±0.25
3. TERM. NO. FOR REF. ONLY
4. RATING: 12mA @24V
5. FIXED CONTACT/MOVING CONTACT:
COPPER ALLOY W/GOLD PLATE
6. CONTACT BOUNCE: <5m SEC.
7. CONTACT RESISTANCE: <50milli-OHMS

E-SWITCH®

5511MBLKGRNYEL

| | | | |
|-------|----------------|----|---------|
| TITLE | 5511MBLKGRNYEL | | |
| SCALE | DATE | DR | DWG |
| 1.5:1 | 3/24/03 | AR | XR0228P |
| REV | A | | |

| | | | | |
|--|---------|-------------------------|---------|------|
| A | 12944 | RELEASED FOR PRODUCTION | 3/24/03 | AR |
| REV. | ECN NO. | DESCRIPTION | DATE | CHKD |
| THE INFORMATION CONTAINED IN THIS DOCUMENT IS PROPRIETARY TO E-SWITCH AND IS NOT TO BE COPIED OR TRANSMITTED | | | | |