

Excellent Integrated System Limited

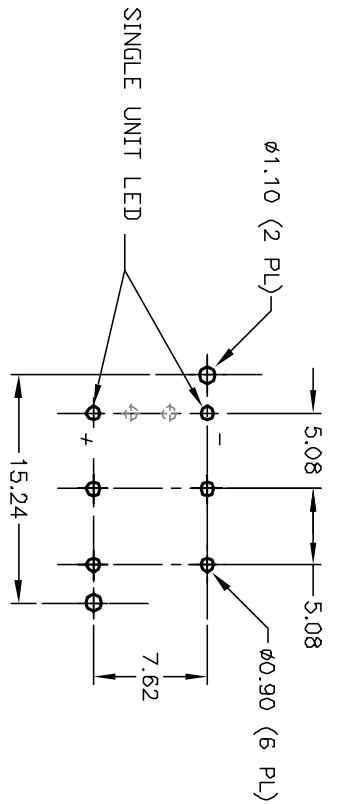
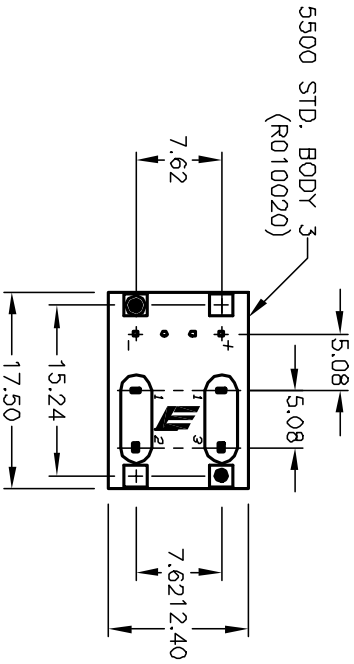
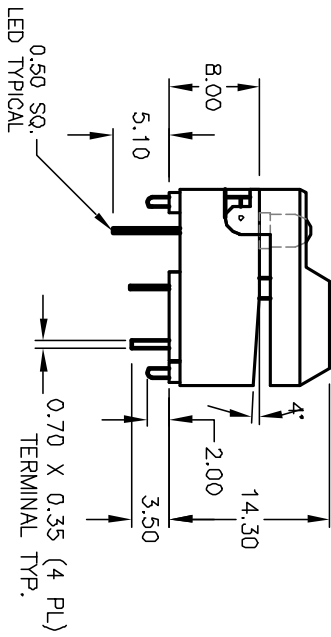
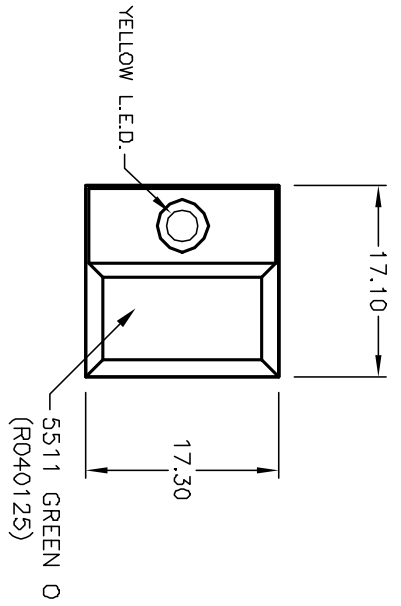
Stocking Distributor

Click to view price, real time Inventory, Delivery & Lifecycle Information:

[E-Switch](#)
[5511MGRNYEL](#)

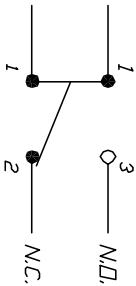
For any questions, you can email us directly:

sales@integrated-circuit.com



RECOMMENDED P.C.B. LAYOUT

LED SPECIFICATION	SYMBOL	MAX.	MIN.	TYP.	UNITS
POWER DISSIPATION	P_D	100	--		mW
FORWARD VOLTAGE	V_F	2.8	1.8	2.1	V
REVERSE VOLTAGE	V_R	5			V
EMISSION WAVELENGTH	λ_p			590	nm
AVE. FORWARD CURRENT	I_{AF}	30	--		mA
REVERSE CURRENT	I_R	100	--		μ A
LUMINOUS INTENSITY	I_V	5.0		12.0	mcd



CIRCUIT: SPDT
CONTACT CONFIGURATION

NOTES:

1. ALL DIMENSIONS IN MM
2. GENERAL TOLERANCE: X.X=±0.4
X.XX=±0.25
3. TERM. NO. FOR REF. ONLY
4. RATING: 12mA @24V
5. FIXED CONTACT/MOVING CONTACT:
COPPER ALLOY W/GOLD PLATE
6. CONTACT BOUNCE: <5m SEC.
7. CONTACT RESISTANCE: <50milli-ohms
8. TRAVEL: 2.5±0.2mm
9. OPERATING TEMP. RANGE: -20°C to +80°C

E-SWITCH®

5511-M-GRN-YEL

REV.	ECN No.	DESCRIPTION	DATE	CHKD
A	12562	RELEASED FOR PRODUCTION	11/14/02	CJB

TITLE	SCALE	DATE	DR	DWG	REV
5511-M-GRN-YEL	1.5:1	11/14/02	CJB	XR0226P	A

THE INFORMATION CONTAINED IN THIS DOCUMENT IS PROPRIETARY TO E-SWITCH AND IS NOT TO BE COPIED OR TRANSMITTED