

Excellent Integrated System Limited

Stocking Distributor

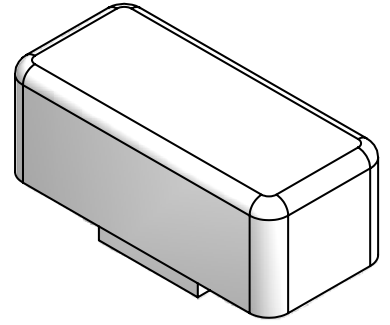
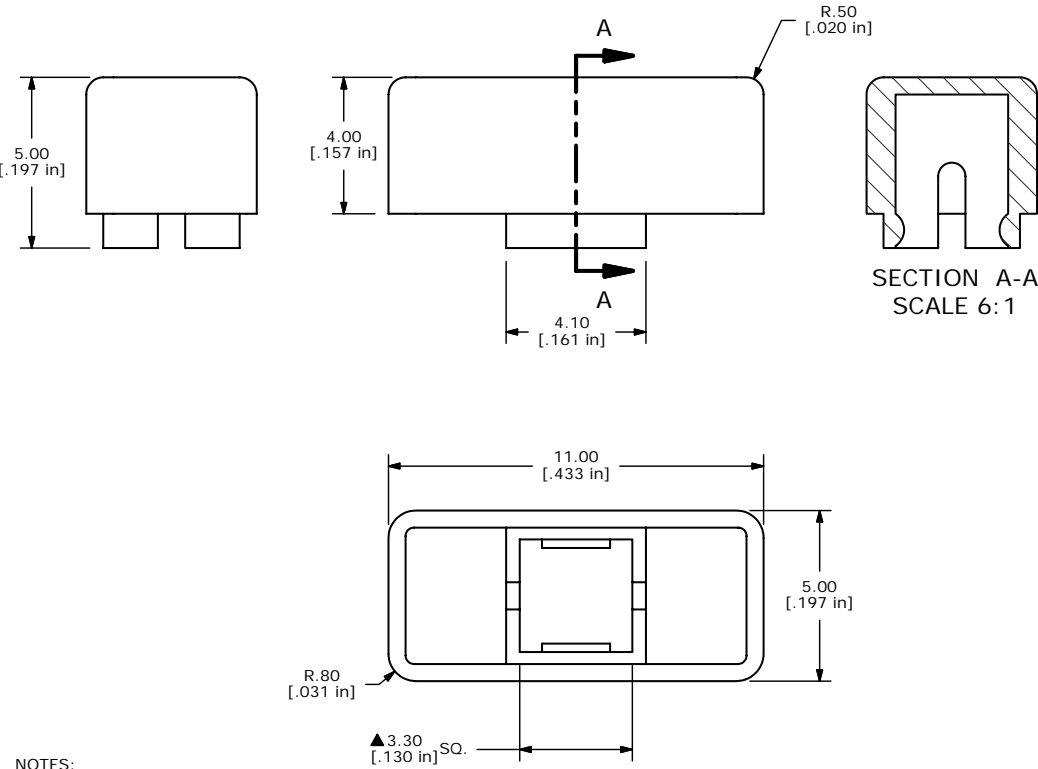
Click to view price, real time Inventory, Delivery & Lifecycle Information:

[E-Switch](#)
[5JWHT](#)

For any questions, you can email us directly:

sales@integrated-circuit.com

SHEET 1 OF 1



- NOTES:
 1. ALL DIMENSIONS IN MM [INCH]
 2. GENERAL TOLERANCE: X.X=±0.4
 X.XX=±0.25
 ▲3. CAP COLOR: WHITE
 4. ▲ DENOTES CRITICAL PARAMETER



B	16382	REDRAWN IN INVENTOR FORMAT	9/6/06	BO
REV	PCR NO	DESCRIPTION	DATE	BY

TITLE 5JWHT				
SCALE 6:1	DATE 9/6/2006	DR BO	DWG P001062	REV B

THE INFORMATION CONTAINED IN THIS DOCUMENT IS PROPRIETARY TO E-SWITCH AND IS NOT TO BE COPIED OR TRANSFERRED