

Excellent Integrated System Limited

Stocking Distributor

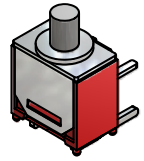
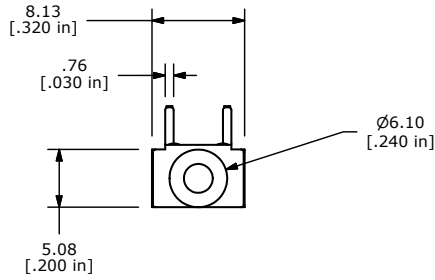
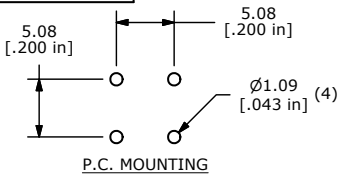
Click to view price, real time Inventory, Delivery & Lifecycle Information:

[E-Switch](#)
[800SP9B10M6RE](#)

For any questions, you can email us directly:

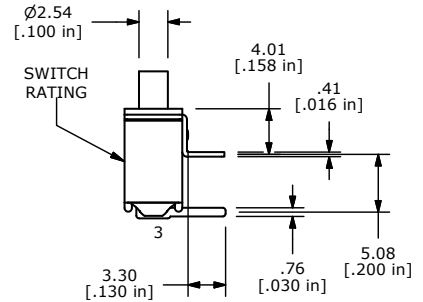
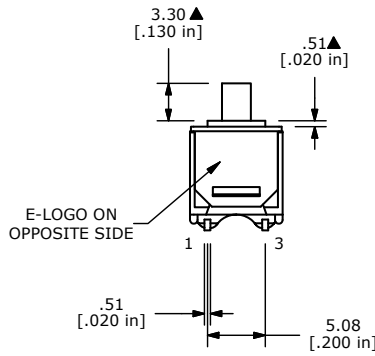
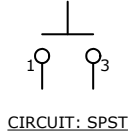
sales@integrated-circuit.com

SHEET 1 OF 1



SWITCH FUNCTION	
POS. 1	POS. 2
OFF	(ON)
OPEN	1-3

(ON)=MOMENTARY



- NOTE:
1. ALL DIMENSIONS IN MM [INCH]
 2. GENERAL TOLERANCE: X.X=±0.4 X.XX=±0.25
 3. TERMINAL NUMBERS FOR REF ONLY
 - ▲4. CONTACT MATERIAL: COPPER ALLOY W/ GOLD PLATE OVER NICKEL PLATE
 - ▲5. RATING: 0.4VA @ 20V AC OR DC MAX.
 6. MECHANICAL LIFE: 50,000 MAKE-AND-BREAK CYCLES
 7. CONTACT RESISTANCE: 20 mΩ MAX. INITIAL @ 2-4VDC 100mA FOR BOTH GOLD AND SILVER CONTACTS
 8. INSULATION RESISTANCE: 1,000 MEGA-OHM MIN.
 9. ELECTRIC STRENGTH: 1,000 V RMS @SEA LEVEL.
 10. OPERATING TEMP.: -30°C to 85°C
 11. ▲ DENOTES CRITICAL PARAMETER.
 12. 2002/95/EC (ROHS) COMPLIANT



TITLE 800SP9B10M6RE

E	20003	UPDATED AND REDRAWN	06/17/11	BMA
REV	PCR NO	DESCRIPTION	DATE	BY

THE INFORMATION CONTAINED IN THIS DOCUMENT IS PROPRIETARY TO E-SWITCH AND IS NOT TO BE COPIED OR TRANSFERRED

SCALE	DATE	DR	DWG	REV
2:1	6/17/2011	BMA	T811037	E