

Excellent Integrated System Limited

Stocking Distributor

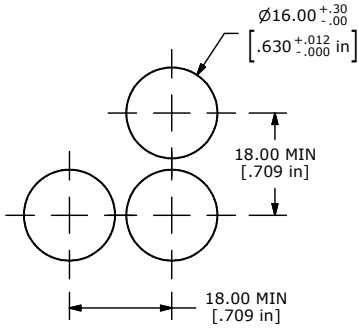
Click to view price, real time Inventory, Delivery & Lifecycle Information:

[E-Switch](#)
[D16EER110WHT](#)

For any questions, you can email us directly:
sales@integrated-circuit.com

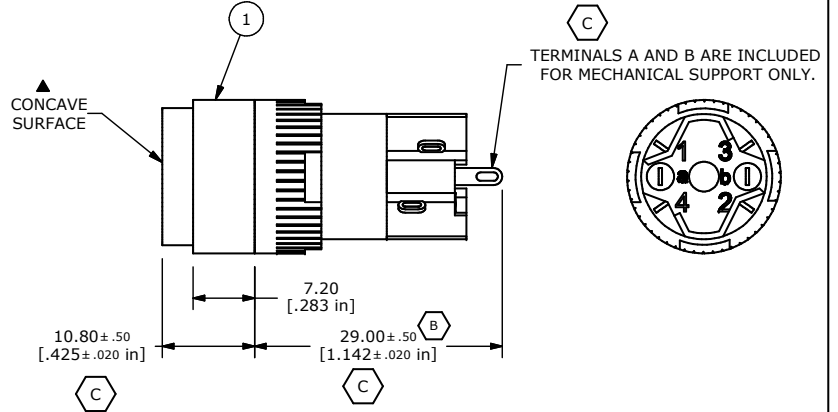
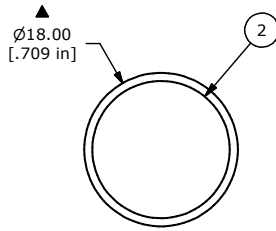
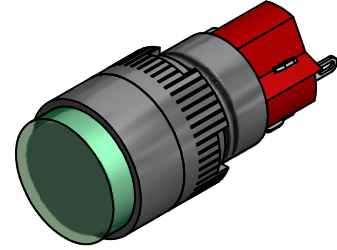
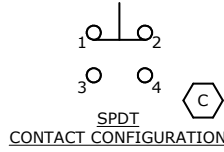
SHEET 1 OF 1

PARTS LIST			
ITEM	QTY	PART NUMBER	DESCRIPTION
1	1	F040006	D16EER11
2	1	F050105	50-001-05 TRANSPARENT CONCAVE WHITE LENS



PANEL MOUNTING.

.5-.5.0 [.020-.197 in] THICK PANEL



NOTE:

1. ALL DIMENSIONS IN MM [INCH]
2. GENERAL TOLERANCE: X.X=±0.4
X.XX=±0.25
3. TERMINAL NUMBERS FOR REF ONLY
4. ELECTRICAL LIFE: 50,000 OPERATIONS
5. INSULATION RESISTANCE: 1,000 MΩ MIN.
6. OPERATING TEMP.: -25°C to 70°C
- ▲ 7. LAMP VOLTAGE: NO LAMP
8. CONTACT RATING: 5A @ 250 VAC
6A @ 24 VDC
8A @ 125 VAC
9. ▲ DENOTES CRITICAL PARAMETER.
10. CONTACT RESISTANCE: 20 mΩ (INITIAL)
11. INGRESS PROTECTION: IP40
12. 2002/95/EC (ROHS) COMPLIANT
13. ACTUATION FORCE: 300g

REV	PCR NO	DESCRIPTION	DATE	BY
C	21015	MAKE NOTED CORRECTIONS	2/8/13	EBP
B	19759	DRAWING UPDATE / CLEAN-UP	3/15/11	BGL

THE INFORMATION CONTAINED IN THIS DOCUMENT IS PROPRIETARY TO E-SWITCH AND IS NOT TO BE COPIED OR TRANSFERRED



TITLE D16EER110WHT				
SCALE 1.5:1	DATE 3/15/2011	DR BGL	DWG XF0038P	REV C