

Excellent Integrated System Limited

Stocking Distributor

Click to view price, real time Inventory, Delivery & Lifecycle Information:

[E-Switch](#)
[D16EER12DBLU](#)

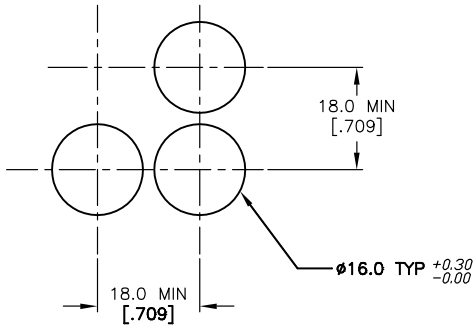
For any questions, you can email us directly:

sales@integrated-circuit.com

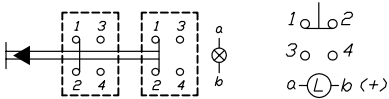
SHEET OF

PARTS LIST

ITEM	QTY.	PART NO.	PART DESCRIPTION
1	1	F040016	D16 EE R12
2	1	F050406	50-004-06 (INCANDESCENT BULB)
3	1	F050111	50-001-11 (BLU LENS TRANSPARENT)



RECOMMEND PANEL MOUNTING

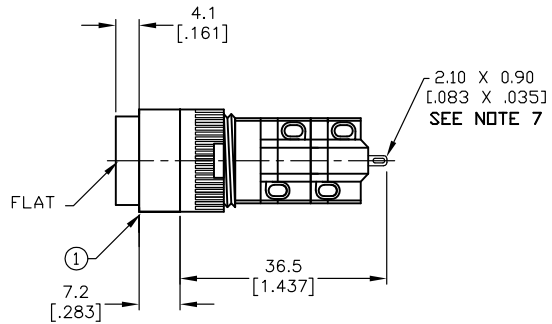
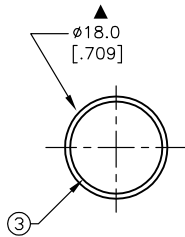


CIRCUIT: DPST

CONTACT CONFIGURATION

NOTES:

1. ALL DIMENSIONS IN MM [INCH]
2. GENERAL TOLERANCE: X.X=±0.4
X.XX=±0.25
3. TERM. NOS. FOR REFERENCE ONLY.
4. RATING: 5A@250V AC / 8A@125V AC
5. MECHANICAL LIFETIME: >2 MILLION OPERATIONS
6. TRAVEL: 3.0MM
7. CONTACT MATERIAL: COPPER ALLOY W/SILVER PLATING
- ▲ 8. LAMP VOLTAGE: 48VAC OR DC 25mA
9. ▲ DENOTES CRITICAL PARAMETER.



E-SWITCH®

TITLE	
D16EER12DBLU (LATCHING)	
SCALE	DATE
1.5:1	9/18/03
DR	DWG
AR	XF0566P
REV	A

THE INFORMATION CONTAINED IN THIS DOCUMENT IS PROPRIETARY TO E-SWITCH AND IS NOT TO BE COPIED OR TRANSFERRED