

Excellent Integrated System Limited

Stocking Distributor

Click to view price, real time Inventory, Delivery & Lifecycle Information:

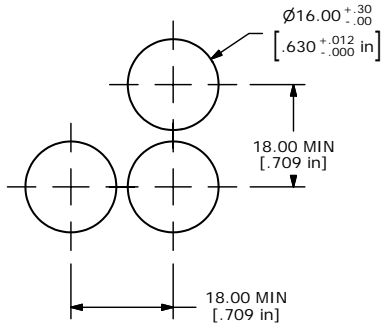
[E-Switch](#)
[D16EER12FGRNGRN](#)

For any questions, you can email us directly:

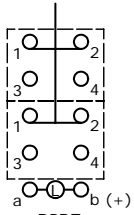
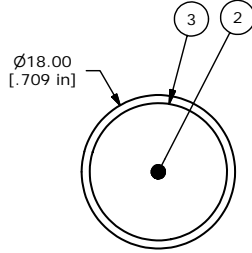
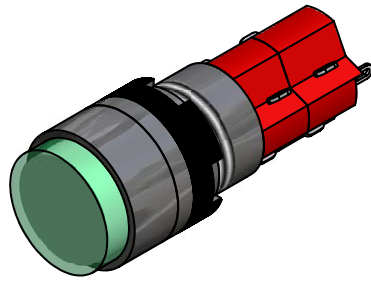
sales@integrated-circuit.com

SHEET 1 OF 1

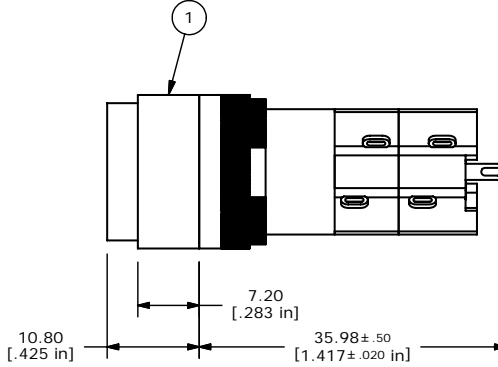
PARTS LIST			
ITEM	QTY	PART NUMBER	DESCRIPTION
1	1	F040016	D16EER12
2	1	F050411	50-004-11 110VAC GREEN NEON
3	1	F050102	50-001-02 ROUND GREEN LENS



PANEL MOUNTING



DPDT CONTACT CONFIGURATION



- NOTE:
1. ALL DIMENSIONS IN MM [INCH]
 2. GENERAL TOLERANCE: X.X = ±0.4
X.XX = ±0.25
 3. TERMINAL NUMBERS FOR REF ONLY
 4. MECHANICAL LIFE: 2,000,000 OPERATIONS
 5. INSULATION RESISTANCE: 1,000 MILLI-OHM MIN.
 6. OPERATING TEMP.: -25°C to 70°C
 - ▲ 7. LAMP VOLTAGE: 110VAC GREEN NEON
 8. ▲ DENOTES CRITICAL PARAMETER.



TITLE D16EER12FGRNGRN

A	16128	RELEASED FOR PRODUCTION	6/13/06	CT
REV	PCR NO	DESCRIPTION	DATE	BY

THE INFORMATION CONTAINED IN THIS DOCUMENT IS PROPRIETARY TO E-SWITCH AND IS NOT TO BE COPIED OR TRANSFERRED

SCALE	DATE	DR	DWG	REV
2:1	6/13/2006	CT	XF0678P	A