

Excellent Integrated System Limited

Stocking Distributor

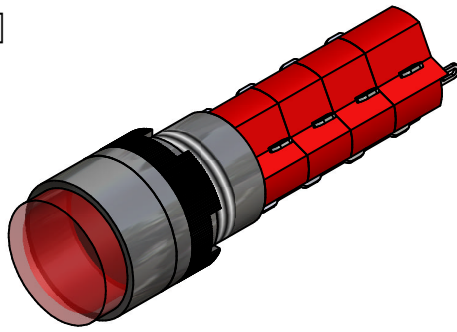
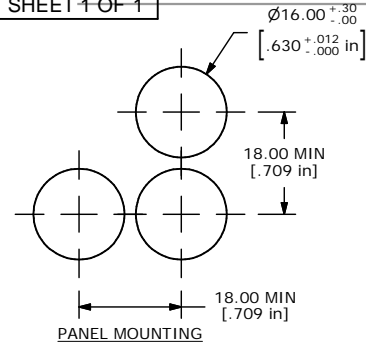
Click to view price, real time Inventory, Delivery & Lifecycle Information:

[E-Switch](#)
[D16EER14BRED](#)

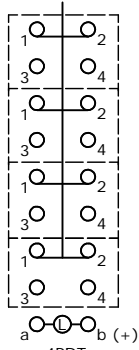
For any questions, you can email us directly:

sales@integrated-circuit.com

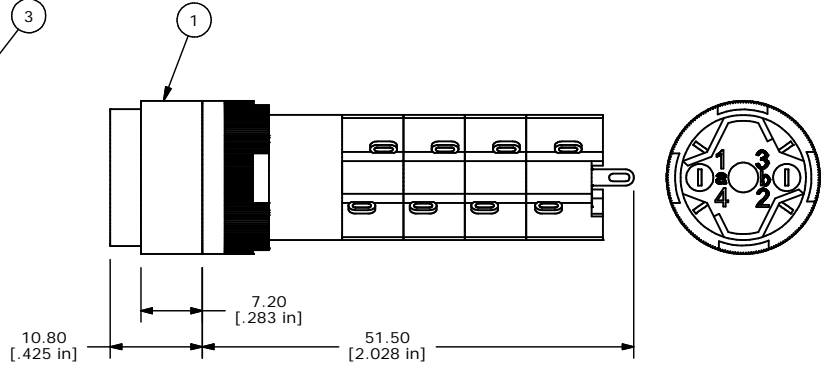
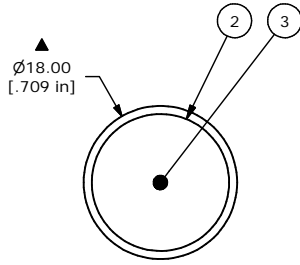
SHEET 1 OF 1



PARTS LIST			
ITEM	QTY	PART NUMBER	DESCRIPTION
1	1	F040030	D16EER14
2	1	F050104	50-001-04 RED CONCAVE TRANSPARENT LENS
3	1	F050404	50-004-04 14V AC/DC 80mA INCANDESCENT



4PDT CONTACT CONFIGURATION



- NOTE:
- ALL DIMENSIONS IN MM [INCH]
 - GENERAL TOLERANCE: X.X=±0.4
X.XX=±0.25
 - TERMINAL NUMBERS FOR REF ONLY
 - MECHANICAL LIFE: 2,000,000 OPERATIONS
 - INSULATION RESISTANCE: 1,000 MILLI-OHM MIN.
 - OPERATING TEMP.: -25°C to 55°C
 - LAMP VOLTAGE: 14V AC/DC INCANDESCENT
 - ▲ DENOTES CRITICAL PARAMETER.



A	14658	RELEASED FOR PRODUCTION	2/2/05	AR
REV	PCR NO	DESCRIPTION	DATE	BY

TITLE D16EER14BRED				
SCALE 2:1	DATE 2/2/05	DR AR	DWG XF0625P	REV A

THE INFORMATION CONTAINED IN THIS DOCUMENT IS PROPRIETARY TO E-SWITCH AND IS NOT TO BE COPIED OR TRANSFERRED