

## Excellent Integrated System Limited

Stocking Distributor

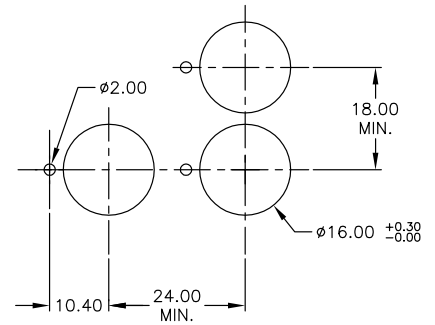
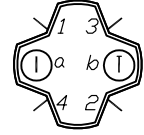
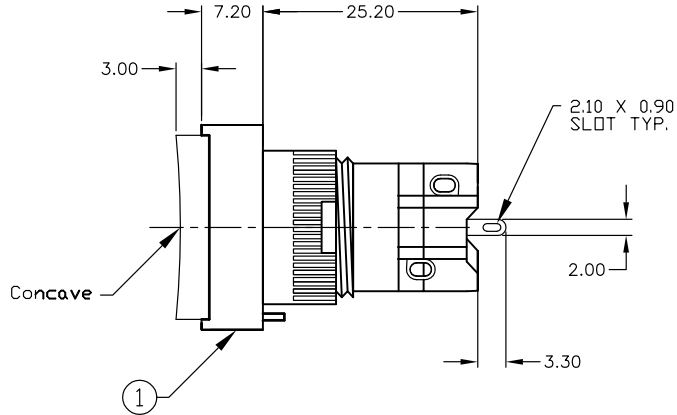
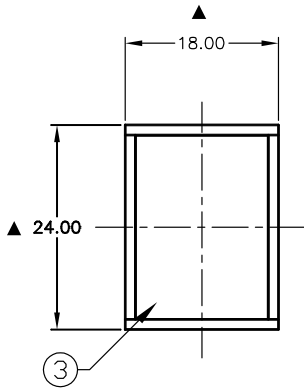
Click to view price, real time Inventory, Delivery & Lifecycle Information:

[E-Switch](#)  
[D16EET11BRED](#)

For any questions, you can email us directly:  
[sales@integrated-circuit.com](mailto:sales@integrated-circuit.com)

SHEET 1 OF 1

PARTS LIST			
ITEM	QTY.	PART NO.	PART DESCRIPTION
1	1	F040004	D16 EE T1 1
2	1	F050404	50-004-04 (Incandescent Bulb)
3	1	F052204	50-002-04 (Opaque RED lens)



1 a 0 2  
 3 o 4  
 a-L-b (+)

SPST  
 CONTACT CONFIGURATION

RECOMMENDED PANEL MOUNTING  
 SCALE 1:1

NOTES:

- ALL DIMENSIONS IN MM
- GENERAL TOLERANCE: X.X=±0.4  
X.XX=±0.25
- RATINGS: 5A @250V AC  
8A @125V AC
- TRAVEL: 3.0mm
- CONTACT MATERIAL:  
COPPER ALLOY W/Silver Plating
- LAMP VOLTAGE: 14V AC/DC 80mA
- ▲ DENOTES CRITICAL PARAMETER.

**E-SWITCH®**

TITLE					D16EET11BRED				
REV.	ECN No.	DESCRIPTION	DATE	CHKD	SCALE	DATE	DR	DWG	REV
A	13747	RELEASED FOR PRODUCTION	2/3/04	AR	1.5:1	2/3/04	AR	XF0581P	A

THE INFORMATION CONTAINED IN THIS DOCUMENT IS PROPRIETARY TO E-SWITCH AND IS NOT TO BE COPIED OR TRANSFERRED