

Excellent Integrated System Limited

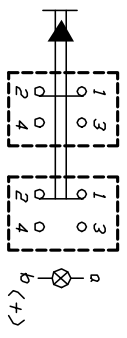
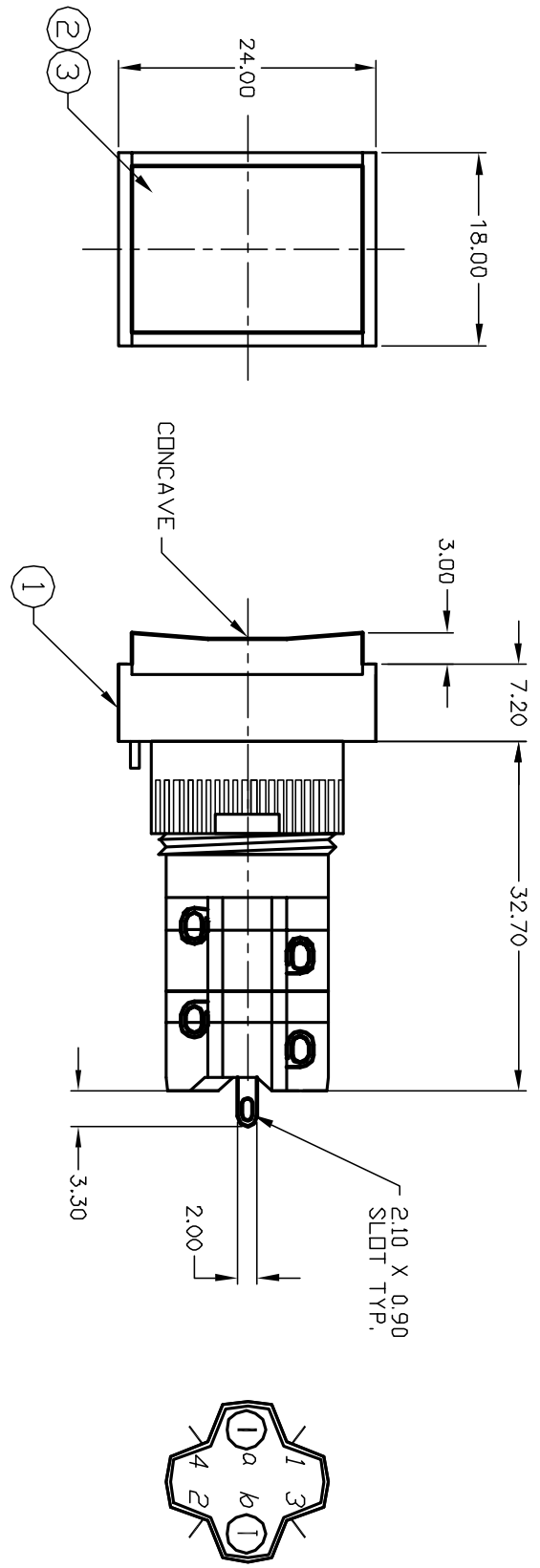
Stocking Distributor

Click to view price, real time Inventory, Delivery & Lifecycle Information:

[E-Switch](#)
[D16EET12HYELYEL](#)

For any questions, you can email us directly:

sales@integrated-circuit.com

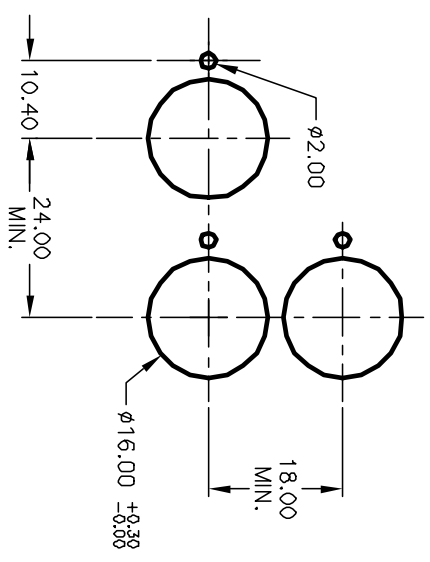


CIRCUIT: DPST
 CONTACT CONFIGURATION

PARTS LIST			
ITEM	QTY.	PART NO.	PART DESCRIPTION
1	1	F040023	D16 EE T1 2
2	1	F050418	50-004-18 (YELLOW L.E.D.)
3	1	F050206	50-002-06 (TRANSPARENT YEL lens)

NOTES:

1. ALL DIMENSIONS IN MM
2. GENERAL TOLERANCE: X.X=±0.4
X.XX=±0.25
3. RATINGS: 5A@250V AC,
8A@125V AC
4. CONTACT MATERIAL: COPPER ALLOY W/Gold Plating
5. TRAVEL: 3.0mm (Total)
6. MECHANICAL LIFE: >100,000 Cycles
7. ELECTRICAL LIFE: >50,000 Cycles
8. INSULATION RESISTANCE: >1000 MΩ-100MΩ
9. OPERATING TEMP: -20°C to 55°C
10. LAMP VOLTAGE: 12VDC (L.E.D.)



RECOMMENDED PANEL MOUNTING
 SCALE 1:1

REV.	ECN NO.	DESCRIPTION	DATE	CHKD
B	12481	REVISED SCHEMATIC	10/14/02	CJB
A	12381	RELEASE FOR PRODUCTION	6/12/02	CJB

TITLE	SCALE	DATE	DR	DWG	REV
D16 EE T12 H YEL YEL TRANSPARENT/CONCAVE LENS	1.5:1	8/23/02	CB	XF0495P	B



THE INFORMATION CONTAINED IN THIS DOCUMENT IS PROPRIETARY TO E-SWITCH AND IS NOT TO BE COPIED OR TRANSMITTED