

Excellent Integrated System Limited

Stocking Distributor

Click to view price, real time Inventory, Delivery & Lifecycle Information:

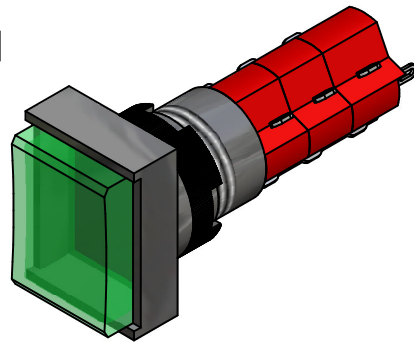
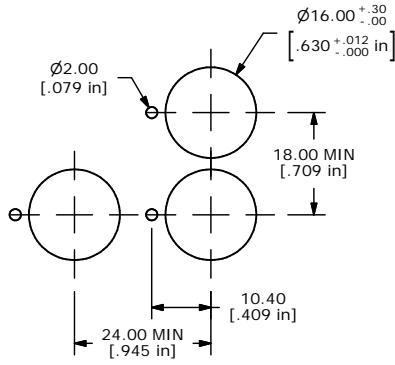
[E-Switch](#)
[D16EET13GGRNGRN](#)

For any questions, you can email us directly:

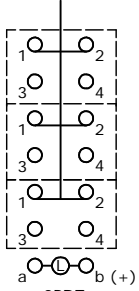
sales@integrated-circuit.com

SHEET 1 OF 1

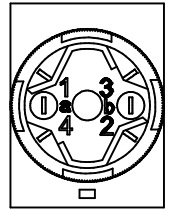
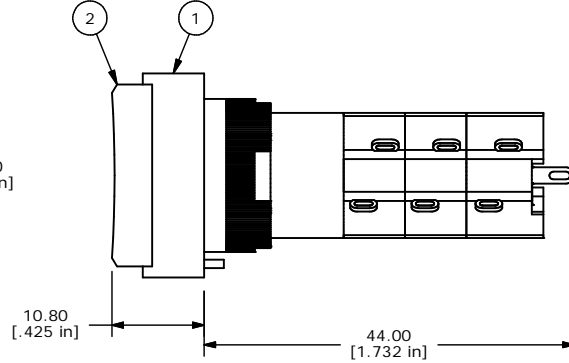
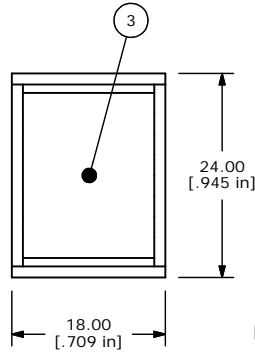
		PARTS LIST	
ITEM	QTY	PART NUMBER	DESCRIPTION
1	1	F040024	D16EET13
2	1	F050202	GREEN TRANSPARENT RECTANGULAR CONCAVE
3	1	F050413	50-004-13 220VAC GREEN NEON



PANEL MOUNTING



3PDT CONTACT CONFIGURATION



- NOTE:
1. ALL DIMENSIONS IN MM [INCH]
 2. GENERAL TOLERANCE: X.X=±0.4
X.XX=±0.25
 3. TERMINAL NUMBERS FOR REF ONLY
 4. MECHANICAL LIFE: 2,000,000 OPERATIONS
 5. INSULATION RESISTANCE: 1,000 MILLI-OHM MIN.
 6. OPERATING TEMP.: -25°C to 55°C
 - ▲ 7. LAMP VOLTAGE: 220VAC GREEN NEON
 8. ▲ DENOTES CRITICAL PARAMETER.



A	14605	RELEASED FOR PRODUCTION	1/6/05	AR
REV	PCR NO	DESCRIPTION	DATE	BY

TITLE D16EET13GGRNGRN

SCALE	DATE	DR	DWG	REV
2:1	1/6/05	AR	XF0621P	A

THE INFORMATION CONTAINED IN THIS DOCUMENT IS PROPRIETARY TO E-SWITCH AND IS NOT TO BE COPIED OR TRANSFERRED