

Excellent Integrated System Limited

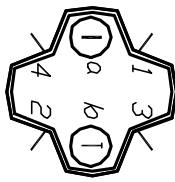
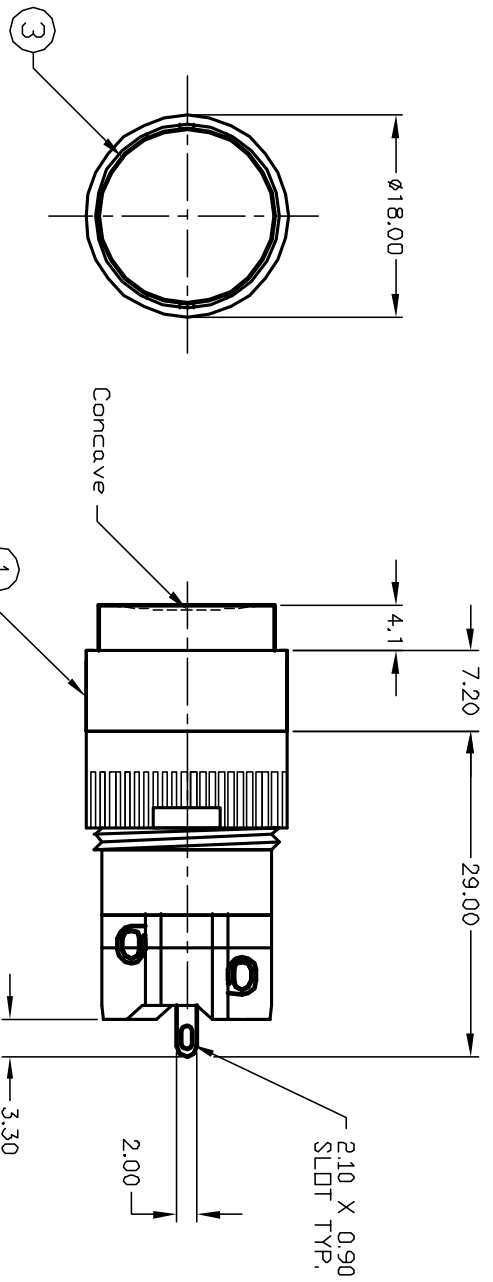
Stocking Distributor

Click to view price, real time Inventory, Delivery & Lifecycle Information:

[E-Switch](#)
[D16OAR11KREDRED](#)

For any questions, you can email us directly:

sales@integrated-circuit.com



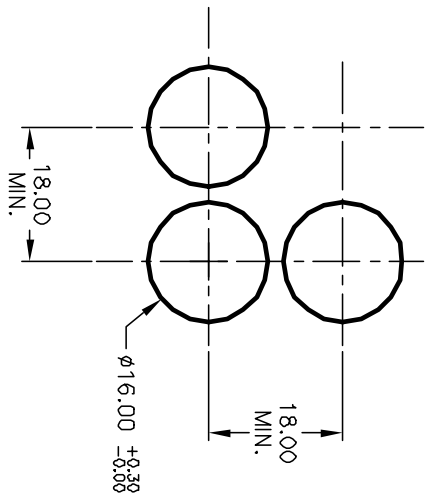
1.0 ± 0.2
 3.0 ± 0.4
 a-L-b (+)

SPST
 CONTACT CONFIGURATION

NOTES:

1. ALL DIMENSIONS IN MM
2. GENERAL TOLERANCE: X.X=±0.4
X.XX=±0.25
3. RATINGS: 5A @250V AC
8A @125V AC
4. CONTACT MATERIAL:
COPPER ALLOY W/Silver Plating
5. LAMP VOLTAGE: 24V DC

PARTS LIST			
ITEM	QTY.	PART NO.	PART DESCRIPTION
1	1	F040009	D16 0A R1 1
2	1	F050423	50-004-23 (RED LED)
3	1	F050104	50-001-04 (Transparent RED lens)



RECOMMENDED PANEL MOUNTING
 SCALE 1:1

REV.	ECN No.	DESCRIPTION	DATE	CHKD
A	12596	RELEASED FOR PRODUCTION	11/26/02	CJB

TITLE	SCALE	DATE	DR	DWG	REV
D16 0A R11 K RED RED TRANSPARENT /CONCAVE LENS	1.5:1	11/26/02	CB	XF0529P	A

E-SWITCH®

THE INFORMATION CONTAINED IN THIS DOCUMENT IS PROPRIETARY TO E-SWITCH AND IS NOT TO BE COPIED OR TRANSMITTED