

Excellent Integrated System Limited

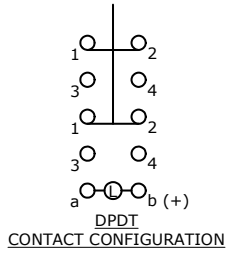
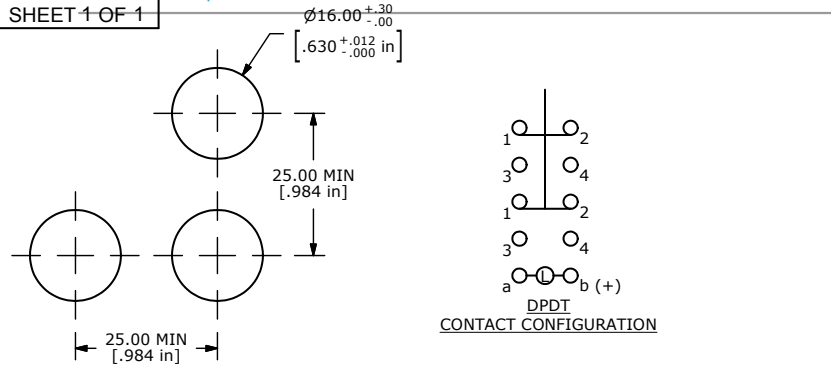
Stocking Distributor

Click to view price, real time Inventory, Delivery & Lifecycle Information:

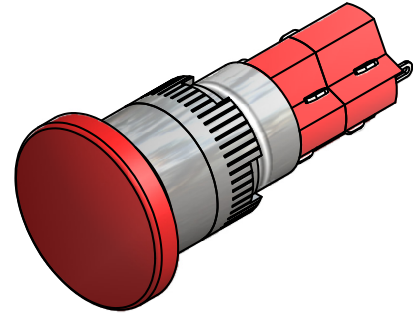
[E-Switch](#)
[D16OAR20RED](#)

For any questions, you can email us directly:
sales@integrated-circuit.com

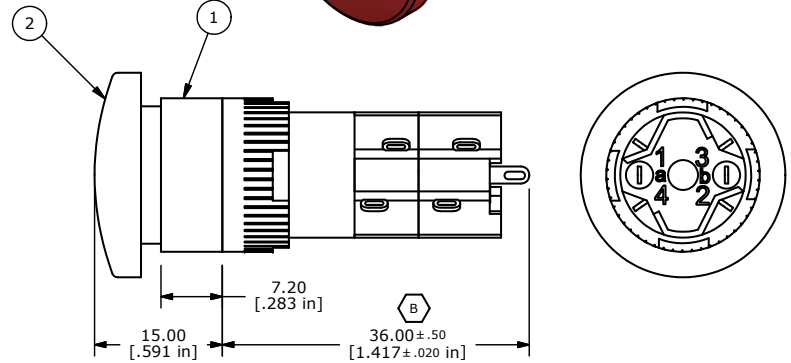
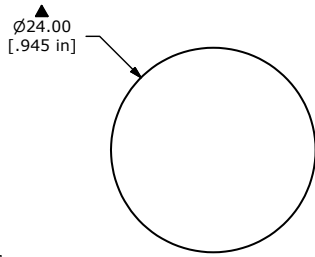
SHEET 1 OF 1



ITEM		QTY	PART NUMBER	DESCRIPTION
1	1	F040027	D16OAR12	
2	1	F051202	50-012-02 OPAQUE RED LENS	



PANEL MOUNTING



- NOTE:
- ALL DIMENSIONS IN MM [INCH]
 - GENERAL TOLERANCE: X.X=±0.4
X.XX=±0.25
 - TERMINAL NUMBERS FOR REF ONLY
 - MECHANICAL LIFE: 100,000 CYCLES
 - ELECTRICAL LIFE: 50,000 CYCLES
 - INSULATION RESISTANCE: 1,000 MILLI-OHM MIN.
 - OPERATING TEMPERATURE: -25°C to 55°C
 - LAMP VOLTAGE: NO LAMP
 - ▲ DENOTES CRITICAL PARAMETER.
 - CONTACT RATING: 5A@250VAC, 8A@125VAC, 6A@24VDC
 - ACTUATION FORCE: 300g/POLE
 - 2002/95/EC (ROHS) COMPLIANT



B	19759	DRAWING UPDATE / CLEAN-UP	3/15/11	BGL
REV	PCR NO	DESCRIPTION	DATE	BY

TITLE D16OAR20RED				
SCALE 1.5:1	DATE 3/15/2011	DR BGL	DWG XF0026P	REV B

THE INFORMATION CONTAINED IN THIS DOCUMENT IS PROPRIETARY TO E-SWITCH AND IS NOT TO BE COPIED OR TRANSFERRED