

## Excellent Integrated System Limited

Stocking Distributor

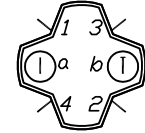
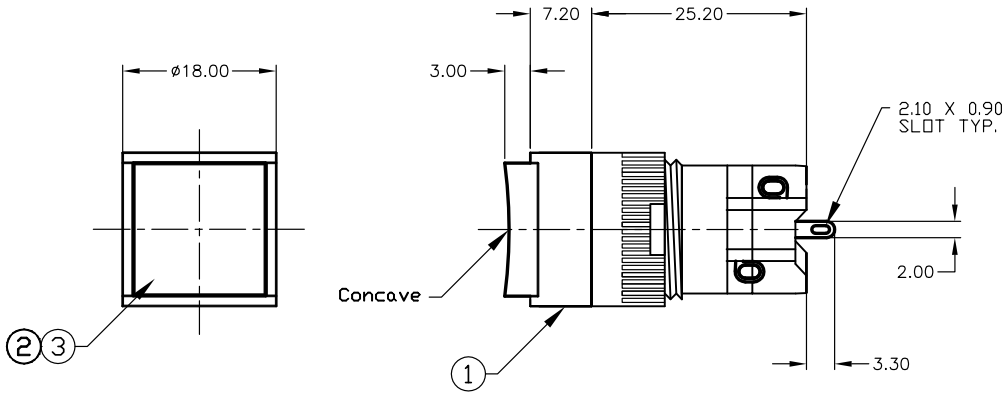
Click to view price, real time Inventory, Delivery & Lifecycle Information:

[E-Switch](#)  
[D16OAS11KREDRED](#)

For any questions, you can email us directly:

[sales@integrated-circuit.com](mailto:sales@integrated-circuit.com)

SHEET OF



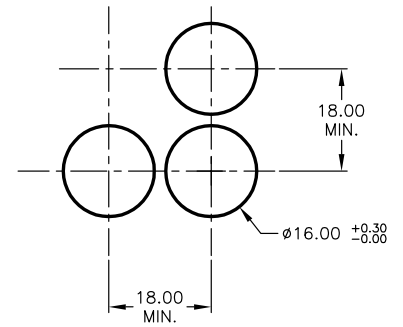
1 0 0 2  
 3 0 0 4  
 a-L-b (+)

PARTS LIST			
ITEM	QTY.	PART NO.	PART DESCRIPTION
1	1	F040008	D16 OA S1 1
2	1	F050423	50-004-23 (RED L.E.D.)
3	1	F050304	50-003-04 (Transparent RED lens)

SPST  
 CONTACT CONFIGURATION

NOTES:

- ALL DIMENSIONS IN MM
- GENERAL TOLERANCE: X.X=±0.4  
X.XX=±0.25
- RATINGS: 5A @250V AC  
8A @125V AC
- TRAVEL: 3.0mm
- CONTACT MATERIAL:  
COPPER ALLOY W/Silver Plating
- LAMP VOLTAGE: 24V DC L.E.D.



RECOMMENDED PANEL MOUNTING  
 SCALE 1:1

					<b>E-SWITCH®</b>				
					TITLE D16OAS11KREDRED				
A	13745	RELEASE FOR PRODUCTION	2/3/04	AR	SCALE	DATE	DR	DWG	REV
REV.	ECN No.	DESCRIPTION	DATE	CHKD	1.5:1	2/3/04	AR	XF0579P	A
<small>THE INFORMATION CONTAINED IN THIS DOCUMENT IS PROPRIETARY TO E-SWITCH AND IS NOT TO BE COPIED OR TRANSFERRED</small>									