

Excellent Integrated System Limited

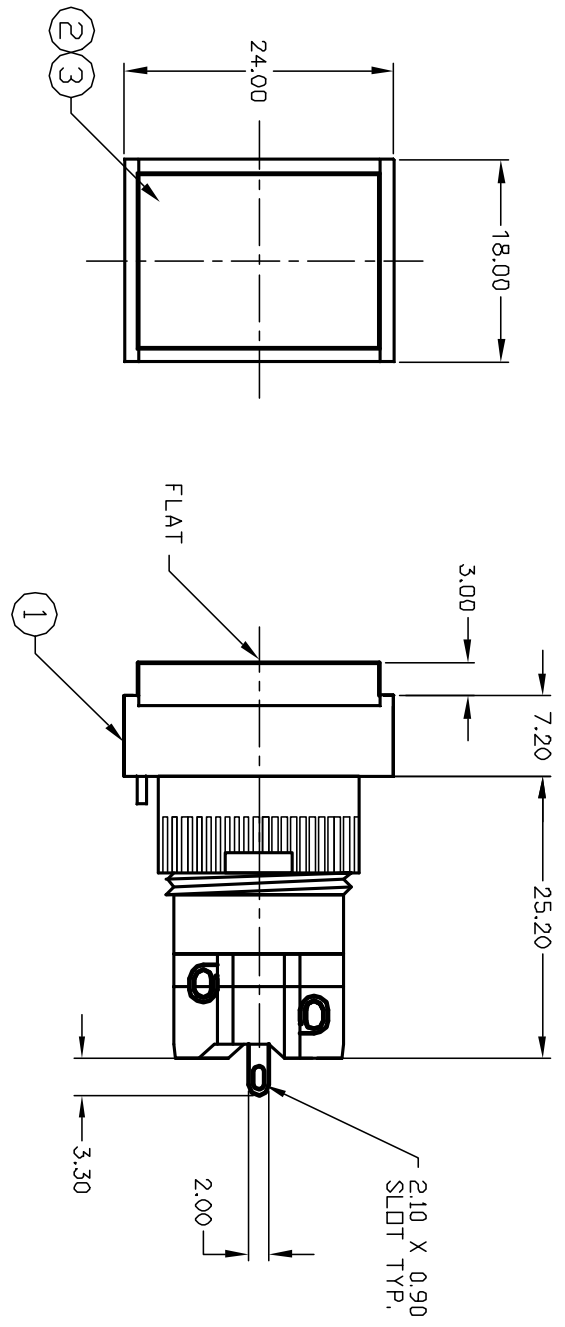
Stocking Distributor

Click to view price, real time Inventory, Delivery & Lifecycle Information:

[E-Switch](#)
[D16OAT11KREDRED](#)

For any questions, you can email us directly:

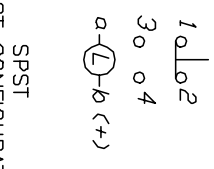
sales@integrated-circuit.com



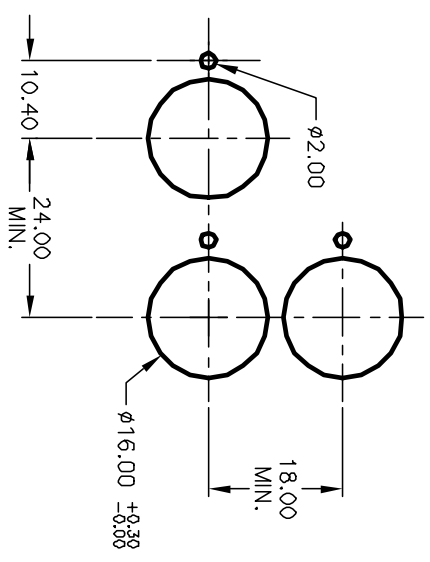
NOTES:

1. ALL DIMENSIONS IN MM
2. GENERAL TOLERANCE: X.X=±0.4
X.XX=±0.25
3. RATINGS: 5A@250V AC,
8A@125V AC
4. CONTACT MATERIAL: COPPER ALLOY W/Gold Plating
5. TRAVEL: 3.0mm (Total)
6. MECHANICAL LIFE: >100,000 Cycles
7. ELECTRICAL LIFE: >50,000 Cycles
8. INSULATION RESISTANCE: >1000 MILLI-OHMS
9. OPERATING TEMP: -20°C to 55°C
10. LAMP VOLTAGE: 24VDC (L.E.D.)

CONTACT CONFIGURATION



PARTS LIST			
ITEM	QTY.	PART NO.	PART DESCRIPTION
1	1	F040007	D16 OA T1 1
2	1	F050423	50-004-23 (RED L.E.D.)
3	1	F050214	50-002-14 (RED lens)



REV.	ECN No.	RELEASE FOR PRODUCTION	DESCRIPTION	DATE	CHKD	CJB
A	12686			1/02/03		

TITLE	SCALE	DATE	DR	DWG	REV
D16 OA T11 K RED RED TRANSPARENT/FLAT LENS	1.5:1	1/02/03	CB	XF0534P	A

E-SWITCH®

THE INFORMATION CONTAINED IN THIS DOCUMENT IS PROPRIETARY TO E-SWITCH AND ITS AFFILIATES. IT IS NOT TO BE COPIED OR TRANSMITTED IN ANY FORM OR BY ANY MEANS, ELECTRONIC OR MECHANICAL, INCLUDING PHOTOCOPYING, RECORDING, OR BY ANY INFORMATION STORAGE AND RETRIEVAL SYSTEM.