

## Excellent Integrated System Limited

Stocking Distributor

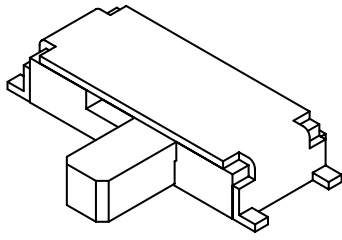
Click to view price, real time Inventory, Delivery & Lifecycle Information:

[E-Switch](#)  
[EG1260BSQ](#)

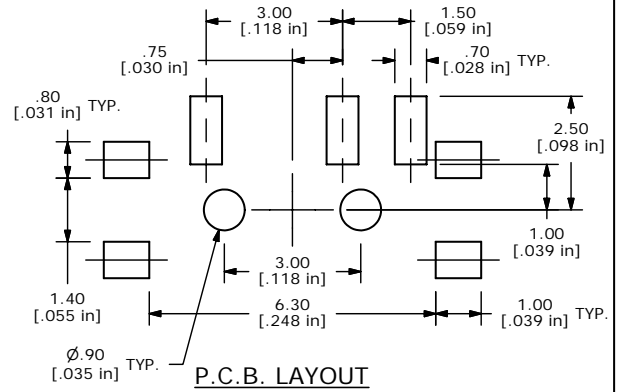
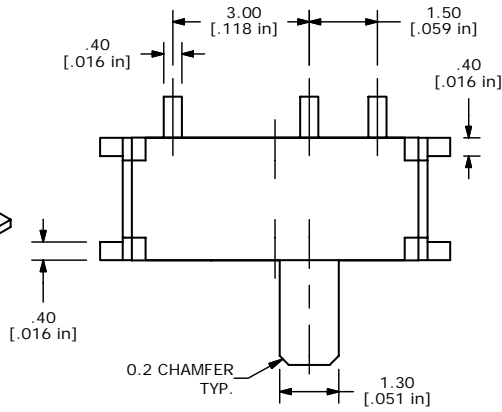
For any questions, you can email us directly:

[sales@integrated-circuit.com](mailto:sales@integrated-circuit.com)

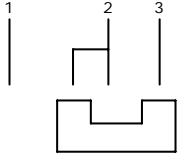
SHEET 1 OF 1



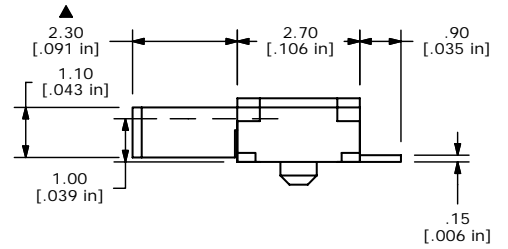
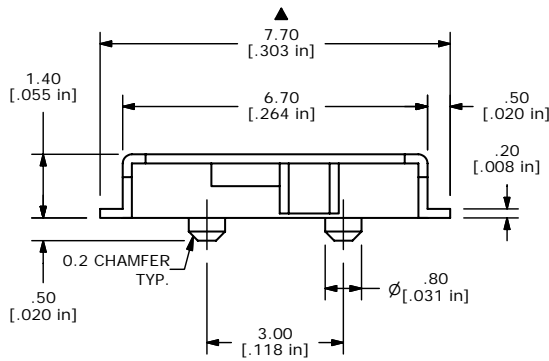
ISOMETRIC



P.C.B. LAYOUT



CIRCUIT DIAGRAM



NOTES:

1. ALL DIMENSIONS IN MM [INCH]
2. GENERAL TOLERANCE: X.X=±0.4  
X.XX=±0.25
3. TERM. NOS. FOR REF. ONLY
4. RATING: 0.3A, 4VDC
- ▲5. PLATING: 40 MICRO INCHES NICKEL  
W/40 MICRO INCHES OF SILVER
- ▲6. OPERATING FORCE: 150±100GF
7. OPERATING LIFE: 10,000 CYCLES
8. TRAVEL: 1.50MM
9. ▲ DENOTES CRITICAL PARAMETER.

D	15331	EDIT PCB LAYOUT DIMENSION	9/26/05	PH
C	14330	ADD PLATING NOTE, UPDATE TITLE	9/20/04	AR
B	13591	CORRECT ACTUATOR LENGTH	11/11/03	AR
A	13514	RELEASED FOR PRODUCTION	10/8/03	AR
REV	PCR NO	DESCRIPTION	DATE	BY



TITLE EG1260BSQ

SCALE 4:1

DATE 10/7/2003

DR AR

DWG D041201

REV D

THE INFORMATION CONTAINED IN THIS DOCUMENT IS PROPRIETARY TO E-SWITCH AND IS NOT TO BE COPIED OR TRANSFERRED