

## Excellent Integrated System Limited

Stocking Distributor

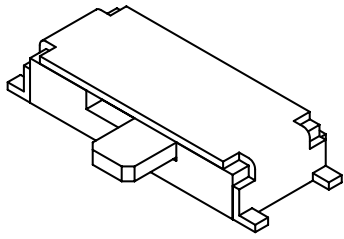
Click to view price, real time Inventory, Delivery & Lifecycle Information:

[E-Switch](#)  
[EG1260CSQ](#)

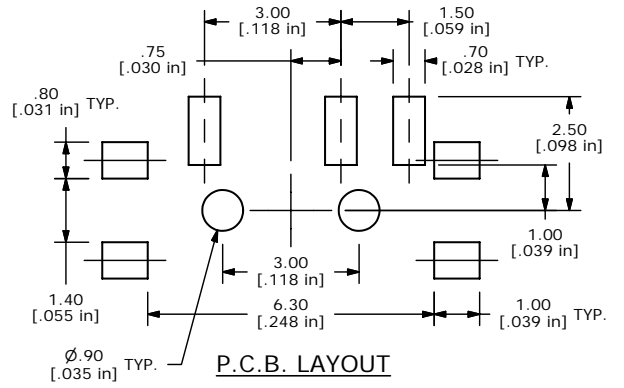
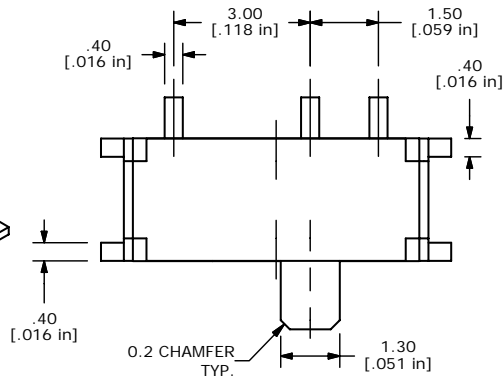
For any questions, you can email us directly:

[sales@integrated-circuit.com](mailto:sales@integrated-circuit.com)

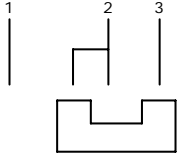
SHEET 1 OF 1



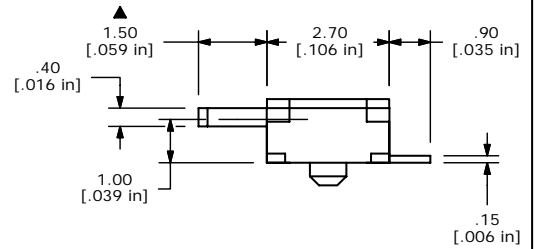
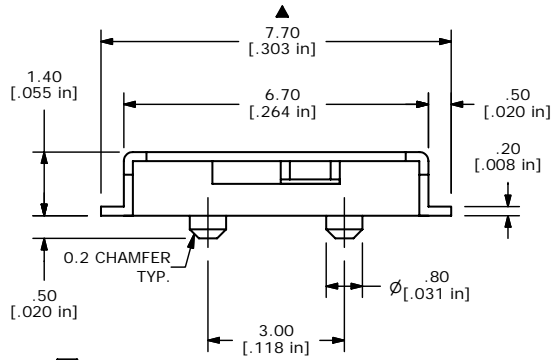
ISOMETRIC



P.C.B. LAYOUT



CIRCUIT DIAGRAM



- NOTES:
1. ALL DIMENSIONS IN MM [INCH]
  2. GENERAL TOLERANCE: X.X=±0.4  
X.XX=±0.25
  3. TERM. NOS. FOR REF. ONLY
  4. RATING: 0.3A, 4VDC
  - ▲ 5. PLATING: 40 MICRO INCHES NICKEL  
W/40 MICRO INCHES OF SILVER B
  - ▲ 6. OPERATING FORCE: 150±100GF
  7. OPERATING LIFE: 10,000 CYCLES
  8. TRAVEL: 1.50MM
  9. ▲ DENOTES CRITICAL PARAMETER.

C	15331	EDIT PCB DIMENSION	9/26/05	PH
B	14330	ADD PLATING NOTE, UPDATE TITLE	9/20/04	AR
A	13514	RELEASED FOR PRODUCTION	10/8/03	AR
REV	PCR NO	DESCRIPTION	DATE	BY

THE INFORMATION CONTAINED IN THIS DOCUMENT IS PROPRIETARY TO E-SWITCH AND IS NOT TO BE COPIED OR TRANSFERRED



TITLE EG1260CSQ

SCALE 4:1

DATE 10/7/2003

DR AR

DWG D041202

REV C