

## Excellent Integrated System Limited

Stocking Distributor

Click to view price, real time Inventory, Delivery & Lifecycle Information:

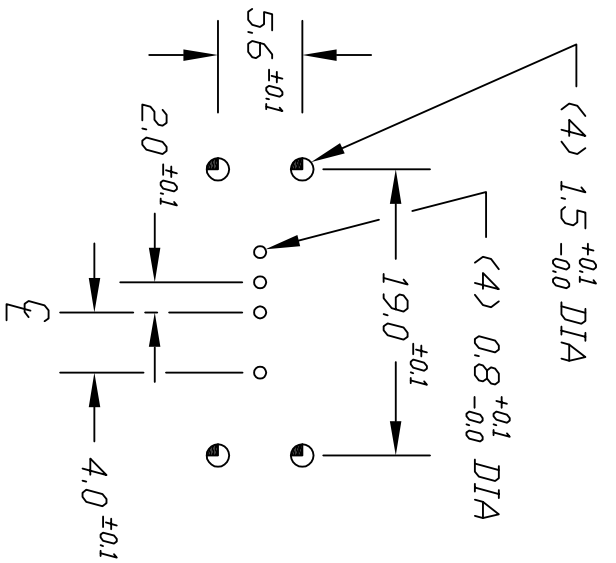
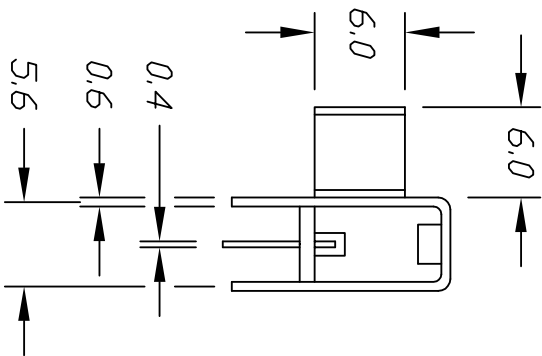
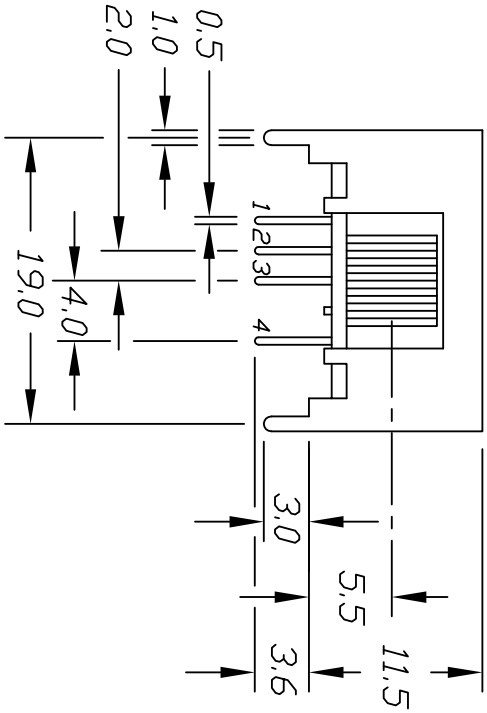
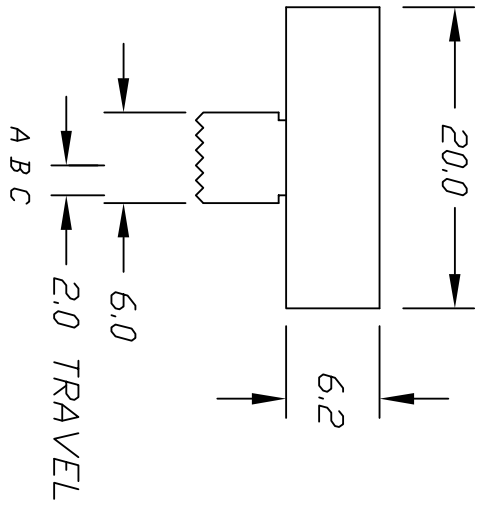
[E-Switch](#)  
[EG1302](#)

For any questions, you can email us directly:

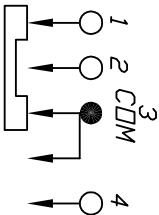
[sales@integrated-circuit.com](mailto:sales@integrated-circuit.com)



SHEET DF



P.C.B. MOUNTING HOLES



CONTACT CONFIGURATION

SWITCH FUNCTION		
POS. A	POS. B	POS. C
3-1	3-2	3-4

NOTES:

1. ALL DIMENSIONS IN MM
2. TERM. NOS. FOR REF ONLY
3. TIMING: NON-SPECIFIED
4. 2002/95/EC (ROHS) COMPLIANT

B ADD TIMING NOTE 1/15/09 BLR

A RELEASED FOR PRODUCTION DESCRIPTION DATE CHKD

REV. THE INFORMATION CONTAINED IN THIS DOCUMENT IS PROPRIETARY TO E-SWITCH AND IS NOT TO BE COPIED OR TRANSFERRED

TOLERANCES

0.0	±0.4
0.00	±0.25

TITLE

EG 1302



SCALE

2:1

DATE

1/15/09

DR

BLR

DWG

P040050

REV

B