

## Excellent Integrated System Limited

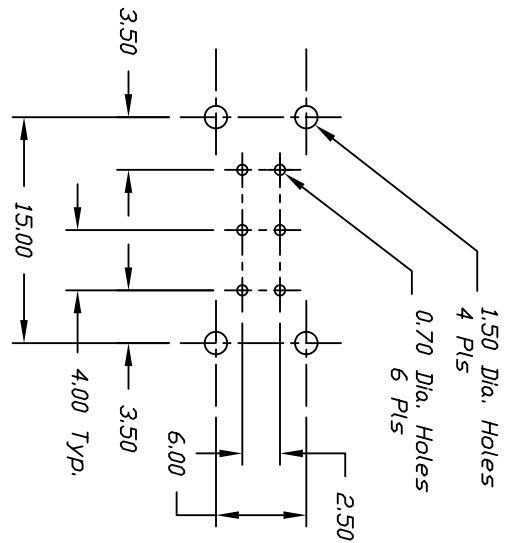
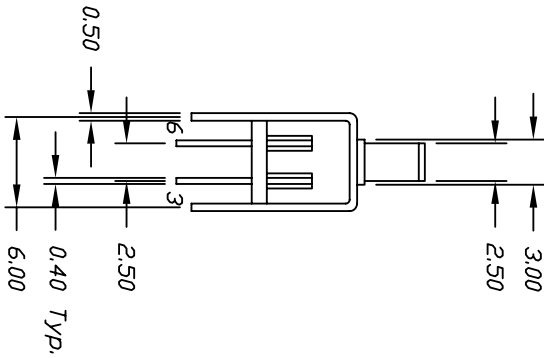
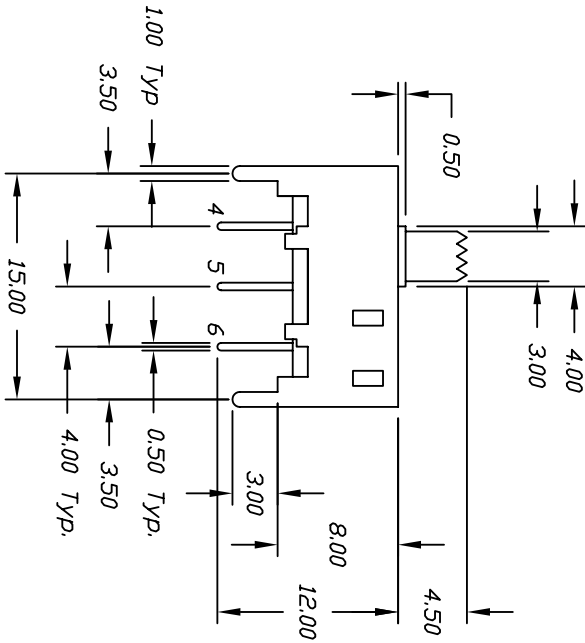
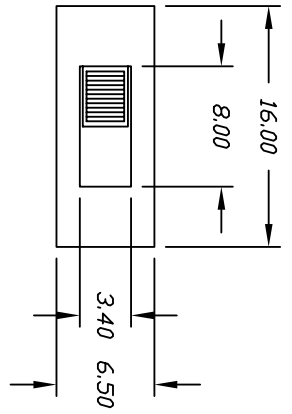
Stocking Distributor

Click to view price, real time Inventory, Delivery & Lifecycle Information:

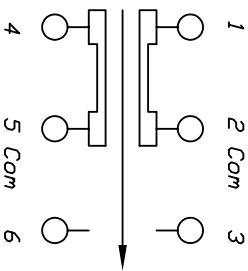
[E-Switch](#)  
[EG2201D](#)

For any questions, you can email us directly:

[sales@integrated-circuit.com](mailto:sales@integrated-circuit.com)



RECOMMEND P.C.B. LAYOUT



CIRCUIT: DPDT

CONTACT CONFIGURATION

NOTES:

1. ALL DIMENSIONS IN MM
2. TERM. NOS. FOR REF ONLY
3. RATING: 0.2A, 30V DC RESISTIVE LOAD.
4. ACTUATION FORCE: 200±100 gf.

REV. B	REVISED & REDRAWN	DATE	CHKD
DESCRIPTION			
THE INFORMATION CONTAINED IN THIS DOCUMENT IS PROPRIETARY TO E-SWITCH AND IS NOT TO BE COPIED OR TRANSFERRED			

TOLERANCES	
0.0	±0.4
0.00	±0.25

TITLE	EG 2201D Non Shorting			
SCALE	2:1	DATE	1/21/98	DR
				MM
			DWG	P040074
REV	B			

**E-SWITCH®**