

Excellent Integrated System Limited

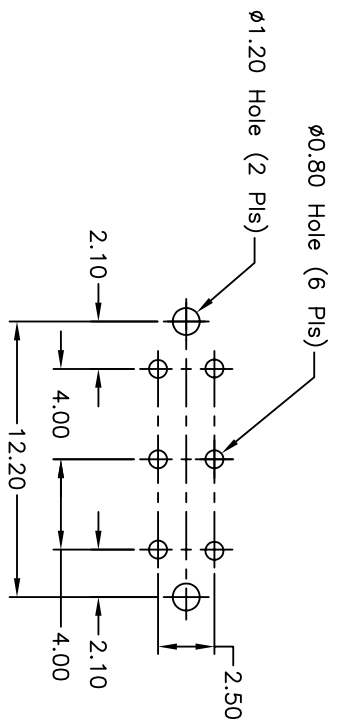
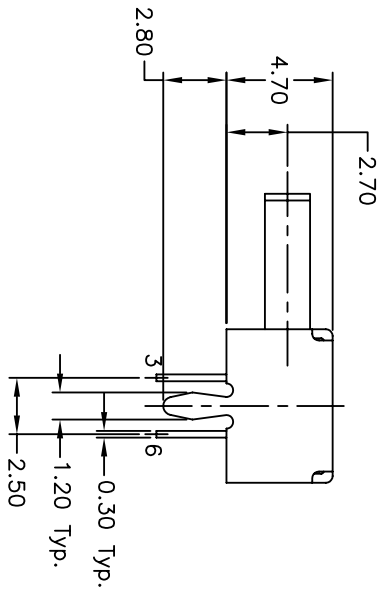
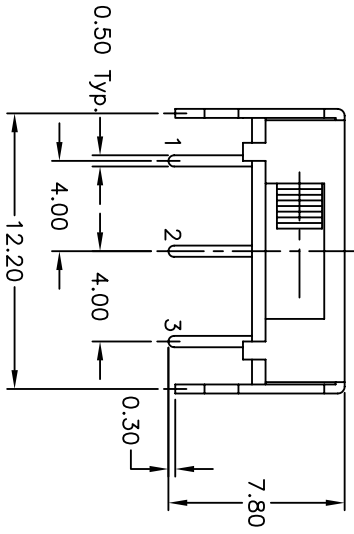
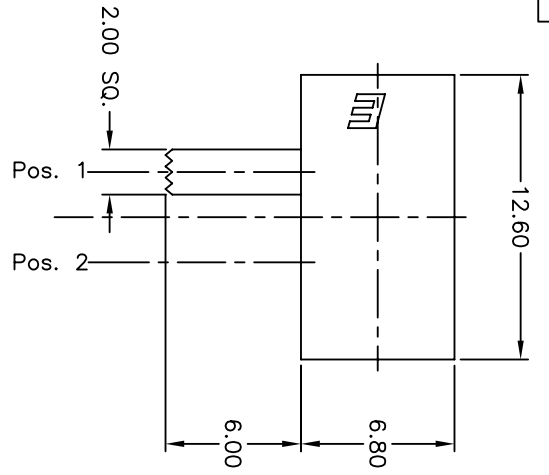
Stocking Distributor

Click to view price, real time Inventory, Delivery & Lifecycle Information:

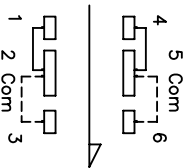
[E-Switch](#)
[EG2210](#)

For any questions, you can email us directly:

sales@integrated-circuit.com



RECOMMEND P.C.B. LAYOUT



CIRCUIT: DPDT CONTACT CONFIGURATION

SWITCH FUNCTION	
POS: 1	POS: 2
2-1,5-4	2-3,5-6

NOTES:

1. ALL DIMENSIONS IN MM
2. GENERAL TOLERANCE: 0.0=±0.4
0.00=±0.25
3. TERM. NOS. FOR REF. ONLY
4. RATING: 0.2A, @30V DC
5. OPERATING FORCE: 200±100gf
6. TRAVEL TO MAKE: 4.00mm

REV.	ECN No.	DESCRIPTION	DATE	CHKD
A	10001	RELEASED FOR PRODUCTION		

TITLE		EG 2210	DR	DWG	REV
SCALE	DATE		MM	P040130	A
3:1	10/21/98				
THE INFORMATION CONTAINED IN THIS DOCUMENT IS PROPRIETARY TO E-SWITCH AND IS NOT TO BE COPIED OR TRANSFERRED					