

Excellent Integrated System Limited

Stocking Distributor

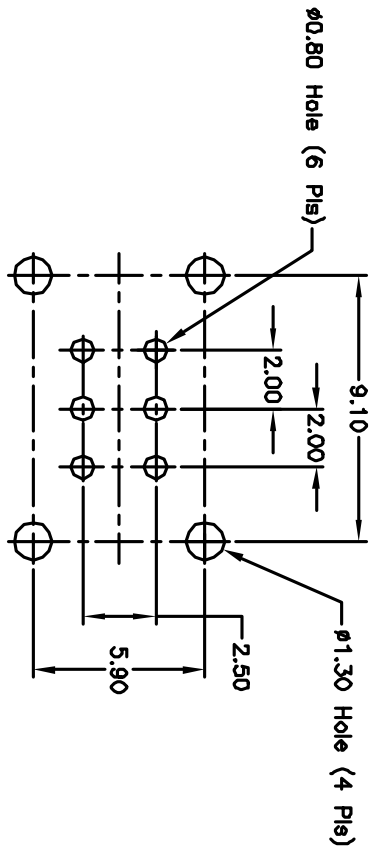
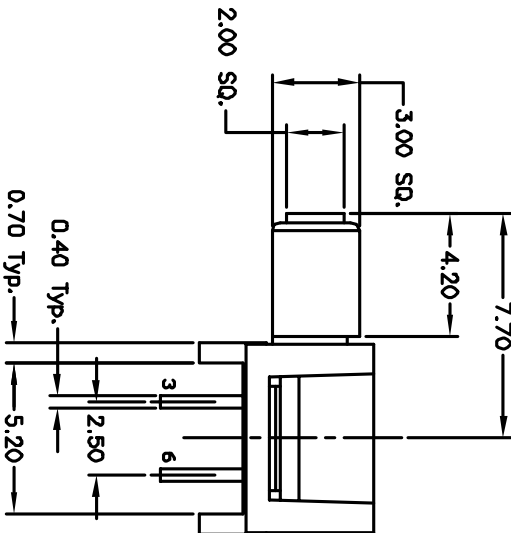
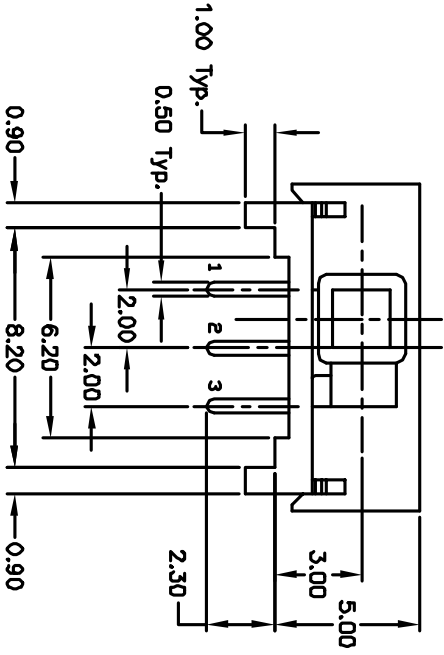
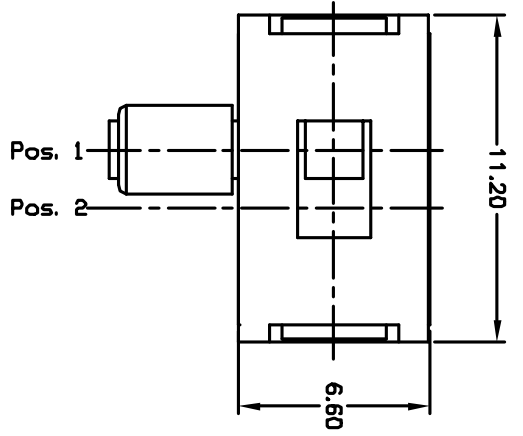
Click to view price, real time Inventory, Delivery & Lifecycle Information:

[E-Switch](#)
[EG2214](#)

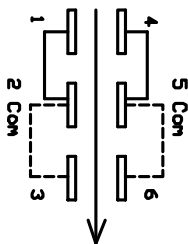
For any questions, you can email us directly:

sales@integrated-circuit.com

SHEET OF



RECOMMEND P.C.B. LAYOUT



CIRCUIT: DPDT
CONTACT CONFIGURATION

SWITCH FUNCTION	
PDS. 1	PDS. 2
2-1,5-4	2-3,5-6

NOTES:

1. ALL DIMENSIONS IN MM
2. GENERAL TOLERANCE: 0.0 \pm 0.4
0.00 \pm 0.25
3. TERM. NOS. FOR REF. ONLY
4. RATING: 0.3A, ϕ 30V DC
5. OPERATING FORCE: 200 \pm 150gf
6. TRAVEL TO MAKE: 2.00mm

REV.	ECN No.	DESCRIPTION	DATE	CHKD
A	10002	RELEASED FOR PRODUCTION		

TITLE	SCALE	DATE	DIR	DWG	REV
E-SWITCH EG 2214	4:1	10/21/98	MM	P040158	A

THE INFORMATION CONTAINED IN THIS DOCUMENT IS PROPRIETARY TO E-SWITCH AND IS NOT TO BE COPIED OR TRANSMITTED