

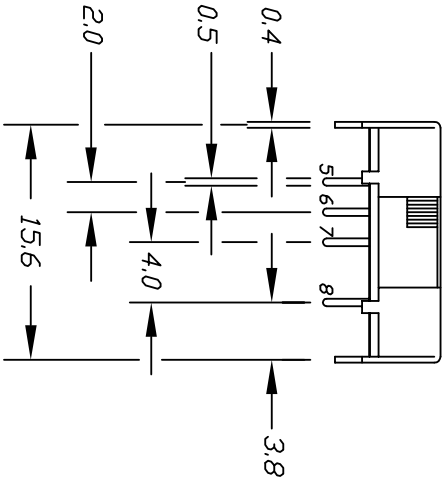
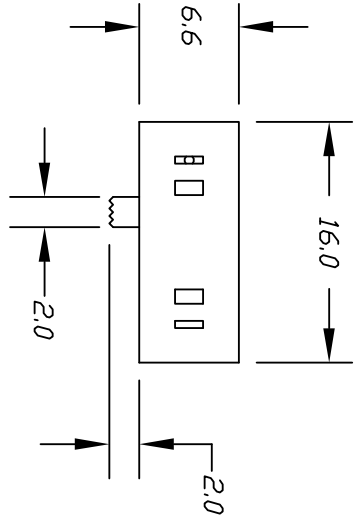
Excellent Integrated System Limited

Stocking Distributor

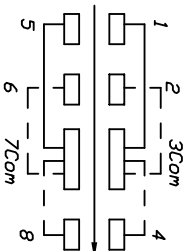
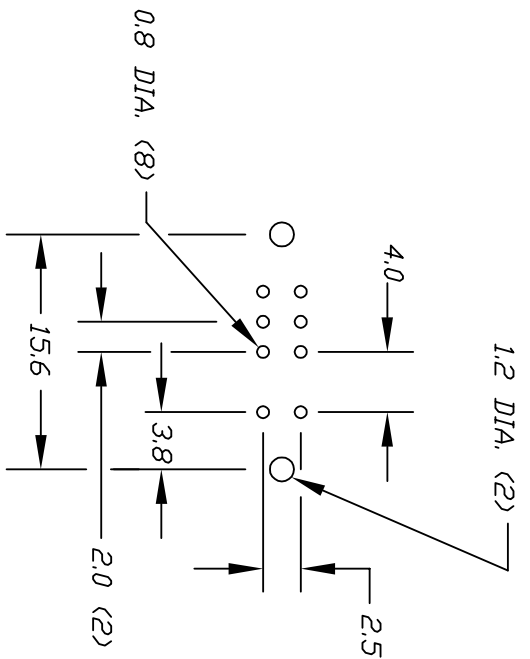
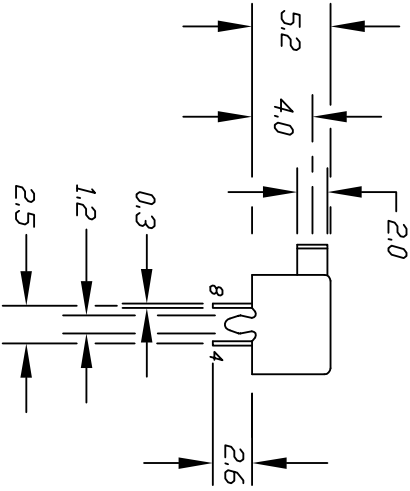
Click to view price, real time Inventory, Delivery & Lifecycle Information:

[E-Switch](#)
[EG2325](#)

For any questions, you can email us directly:
sales@integrated-circuit.com



- NOTES:
1. ALL DIMENSIONS IN MM (IN)
 2. TERM. NOS. FOR REF ONLY
 3. TRAVEL: 2.0mm
 4. TIMING: NON-SPECIFIED
 5. 2002/95/EC (ROHS) COMPLIANT



CONTACT CONFIGURATION

SWITCH FUNCTION		
PDS. 1	PDS. 2	PDS. 3
1-3	2-3	3-4
5-7	6-7	7-8

B	ADD TIMING NOTE	1/20/09	BLR
A	RELEASED FOR PRODUCTION		
REV.	DESCRIPTION	DATE	CHKD

TOLERANCES	
0.0	±0.4
0.00	±0.25

SCALE	TITLE	DATE	DR	DWG
2:1	EG 2325	1/20/09	BLR	P040270

THE INFORMATION CONTAINED IN THIS DOCUMENT IS PROPRIETARY TO E-SWITCH AND IS NOT TO BE COPIED OR TRANSFERRED	REV
	B