

Excellent Integrated System Limited

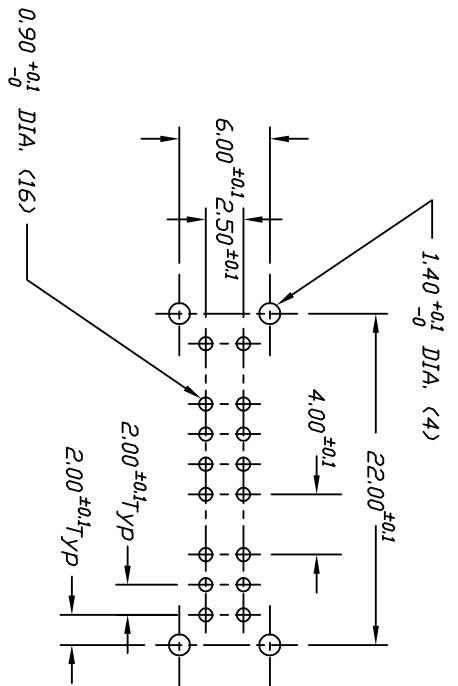
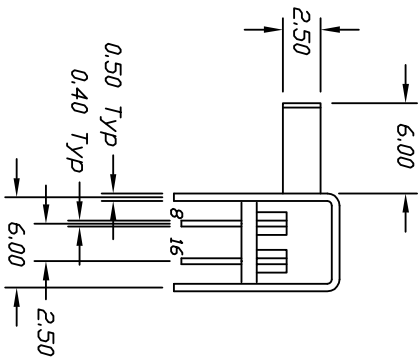
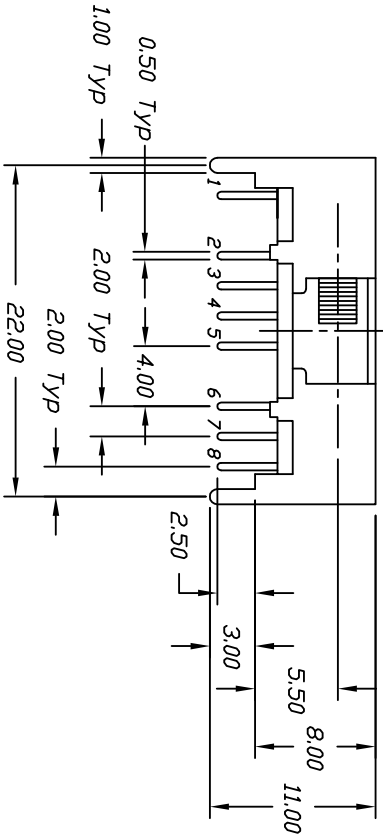
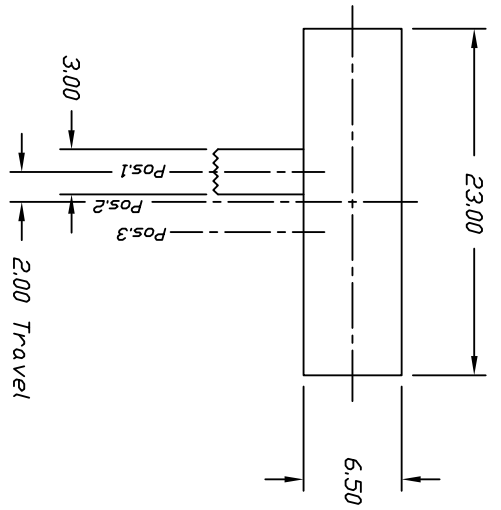
Stocking Distributor

Click to view price, real time Inventory, Delivery & Lifecycle Information:

[E-Switch](#)
[EG4319A](#)

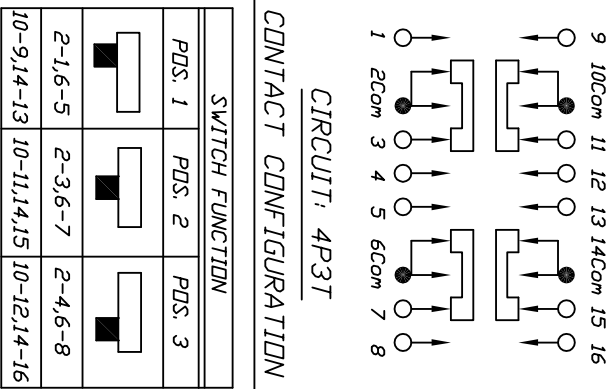
For any questions, you can email us directly:

sales@integrated-circuit.com



RECOMMEND P.C.B. LAYOUT

- NOTES:
1. ALL DIMENSIONS IN MM
 2. TERM. NDS. FOR REF. ONLY
 3. RATING: 0.2A, 30V DC
 4. TIMING: NON-SPECIFIED
 5. 2002/95/EC (ROHS) COMPLIANT



REV. C	ADD TIMING NOTE	1/20/09	BLR	TOLERANCES		TITLE	SCALE	DATE	DR	DWG	REV
B	REVISED & REDRAWN			0.0	±0.4	EG 4319A	2:1	1/20/09	BLR	P040291	C
	DESCRIPTION	DATE	CHKD	0.00	±0.25						
<p>THE INFORMATION CONTAINED IN THIS DOCUMENT IS PROPRIETARY TO E-SWITCH AND IS NOT TO BE COPIED OR TRANSFERRED</p>											

