

Excellent Integrated System Limited

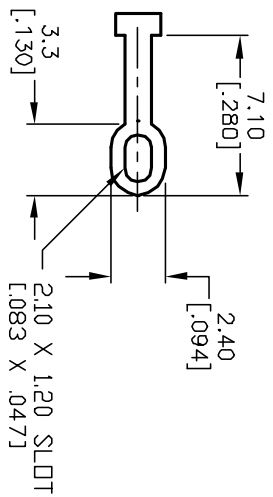
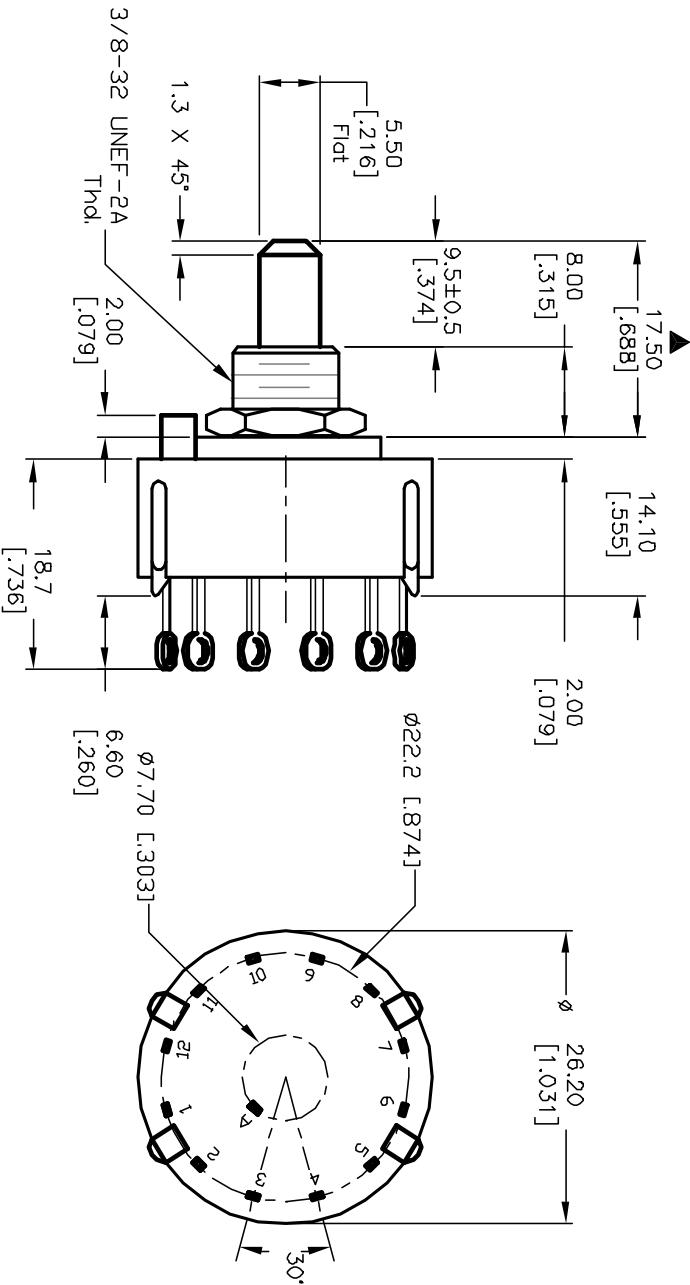
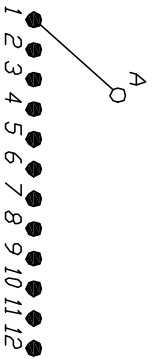
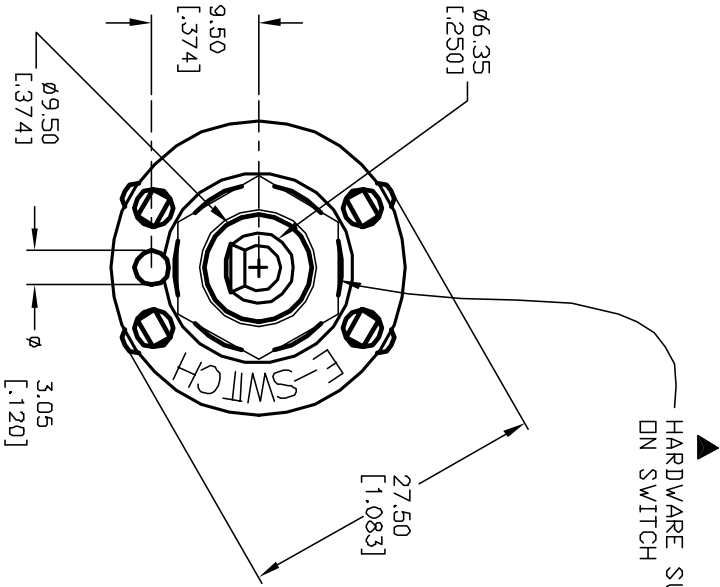
Stocking Distributor

Click to view price, real time Inventory, Delivery & Lifecycle Information:

[E-Switch](#)
[KC10A9.501SLS](#)

For any questions, you can email us directly:
sales@integrated-circuit.com

- NOTES:
1. ALL DIMENSION IN MM [INCH]
 2. GENERAL TOLERANCE: X.X=±0.4
X.XX=±0.25
 3. TERM. NOS. FOR REF. ONLY
 4. CONTACT RATING SWITCHING: 150mA, 250V AC/DC
350mA, 110V AC/DC
 5. OPERATING FORCE: 425±100 CM/STANDARD
 6. OPERATING TEMP: -30° to 85°C
 7. CIRCUIT SP: 12 POSITIONS, 30° INDEX, NO STOPS
 8. DIELECTRIC STRENGTH: 1000V RMS min. @5sec Level
 9. ▲ DESIGNATE MAJOR FEATURE
 10. HARDWARE SUPPLIED ON SWITCH - SEE BELOW
LOCKWASHER, & HEX NUT



REV.	ECN No.	DESCRIPTION	DATE	CHKD
A	12822	RELEASED FOR PRODUCTION	2/18/03	CJB

TITLE	SCALE	DATE	DR	DWG	REV
KC-10-A-(9.5mm) 01-S-L-S	1.5:1	2/18/03	CJB	G527524	A

E-SWITCH®

THE INFORMATION CONTAINED IN THIS DOCUMENT IS PROPRIETARY TO E-SWITCH AND IS NOT TO BE COPIED OR TRANSMITTED