

Excellent Integrated System Limited

Stocking Distributor

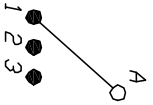
Click to view price, real time Inventory, Delivery & Lifecycle Information:

[E-Switch](#)
[KC13A10.001NLS](#)

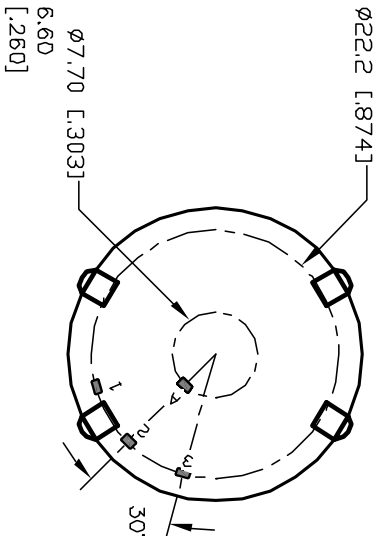
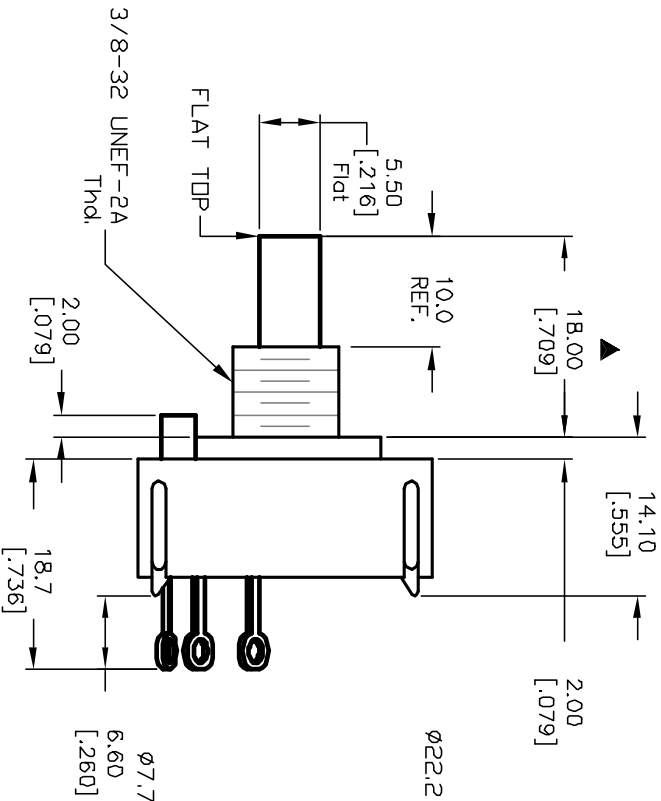
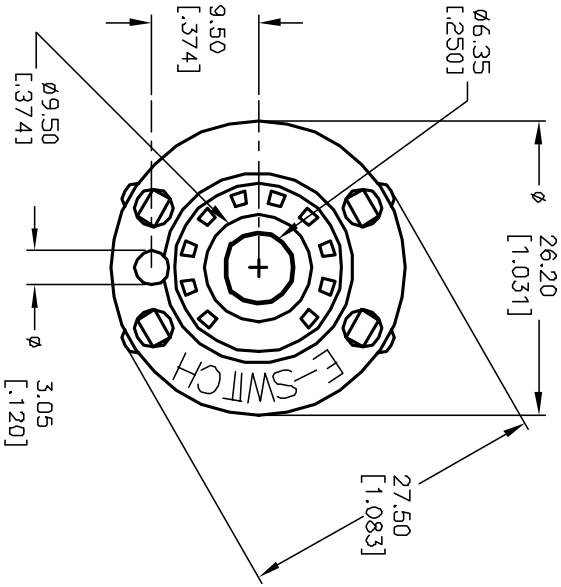
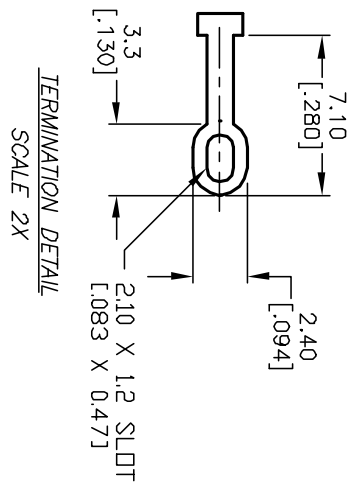
For any questions, you can email us directly:
sales@integrated-circuit.com

NOTES:

1. ALL DIMENSION IN MM [INCH]
2. GENERAL TOLERANCE: X.X=±0.4
X.XX=±0.25
3. TERM. NOS. FOR REF. ONLY
4. CONTACT RATING SWITCHING: 150mA, 250V AC/DC
350mA, 110V AC/DC
5. CONTACT RATING (NON-SWITCHING) 5A
6. OPERATING FORCE: 425±100 CM/STANDARD
7. OPERATING TEMP: -30° to 85°C
- ▲ 8. CIRCUIT SP: 3 POSITIONS, 30° INDEX
- ▲ 9. DIELECTRIC STRENGTH 1000V RMS min. @ SEA LEVEL
- ▲ 10. DESIGNATE MAJOR DIMENSIONS
- ▲ 11. SUPPLIED HARDWARE: LOCK NUT AND WASHER NOT SHOWN.



CONTACT CONFIGURATION
 Timing: Non-Shorting (BBM)



REV.	ECN No.	DESCRIPTION	DATE	CHKD
A	12356	RELEASED FOR PRODUCTION	11/22/02	CJB
B				

TITLE	SCALE	DATE	DR	DWG	REV
KC-13-A (10.0mm)-01-N-L-S	1.5:1	11/22/02	CJB	G510712	A

E-SWITCH®

THE INFORMATION CONTAINED IN THIS DOCUMENT IS PROPRIETARY TO E-SWITCH AND IS NOT TO BE COPIED OR TRANSMITTED