

Excellent Integrated System Limited

Stocking Distributor

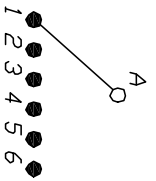
Click to view price, real time Inventory, Delivery & Lifecycle Information:

[E-Switch](#)
[KC16A30.001NLS](#)

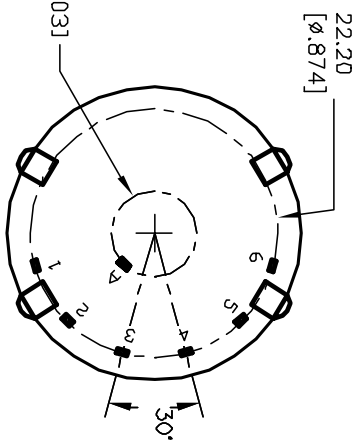
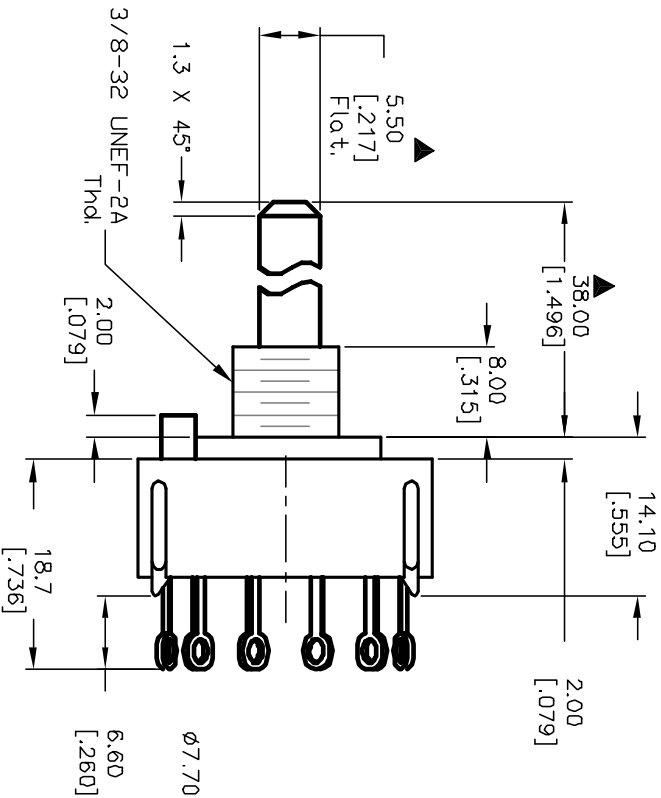
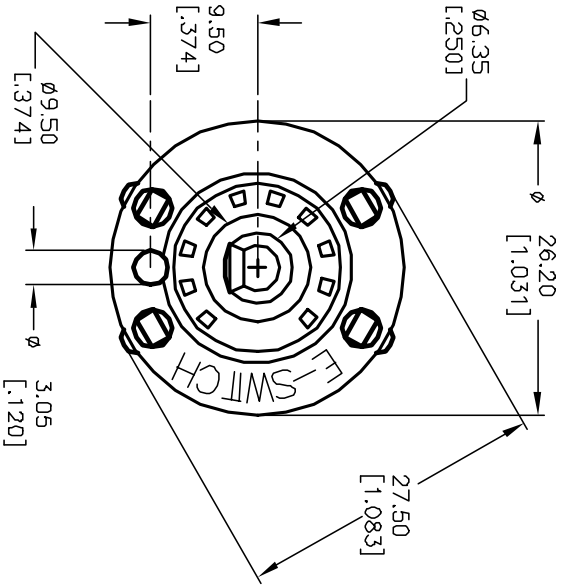
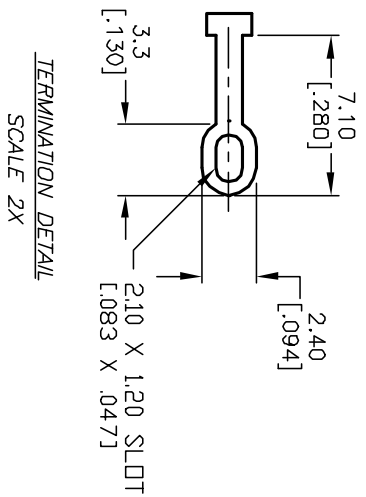
For any questions, you can email us directly:

sales@integrated-circuit.com

- NOTES:
1. ALL DIMENSION IN MM [INCH]
 2. GENERAL TOLERANCE: X.X=±0.4 X.XX=±0.25
 3. TERM. NOS. FOR REF. ONLY
 4. CONTACT RATING SWITCHING: 150mA, 250V AC/DC
350mA, 110V AC/DC
 5. CONTACT RATING (NON SWITCHING): 5A
 6. OPERATING FORCE: 425±100 CM/STANDARD
 7. OPERATING TEMP: -30° to 85°C
 8. CIRCUIT SP: 6 POSITIONS, 30° INDEX.
 9. DIELECTRIC STRENGTH: 1000V RMS min. @Sea Level
 10. DESIGNATE MAJOR DIMENSIONS
 11. SUPPLIED HARDWARE: LOCK NUT AND WASHER (NOT SHOWN).



CONTACT CONFIGURATION
Timing: Non-Shorting (BBM)



E-SWITCH®

REV.	ECN No.	REVISED DESC. PER CATALOG DESCRIPTION	DATE	CHKD
B	12615	REVISED DESC. PER CATALOG DESCRIPTION	12/5/02	CJB

TITLE	SCALE	DATE	DR	DWG	REV
KC-16-A-(30.0mm) 01-N-L-S	1.5:1	5/29/01	CJB	G510706	B

THE INFORMATION CONTAINED IN THIS DOCUMENT IS PROPRIETARY TO E-SWITCH AND IS NOT TO BE COPIED OR TRANSMITTED