

Excellent Integrated System Limited

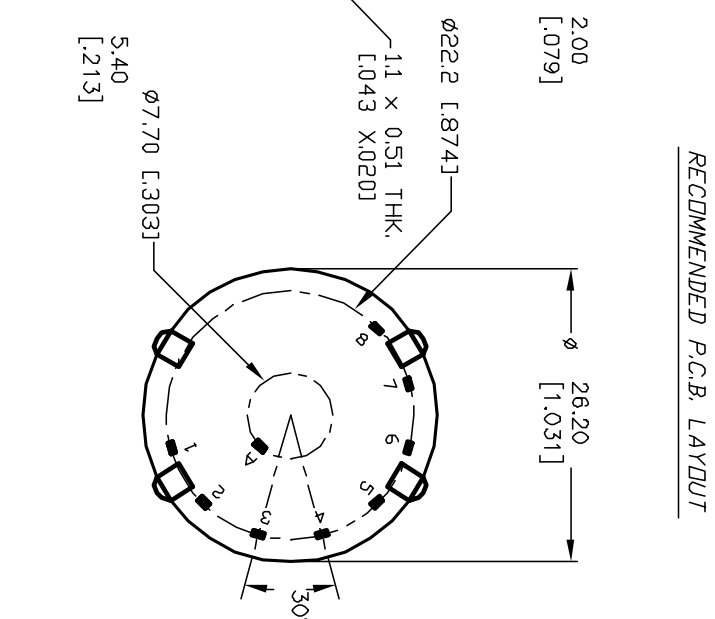
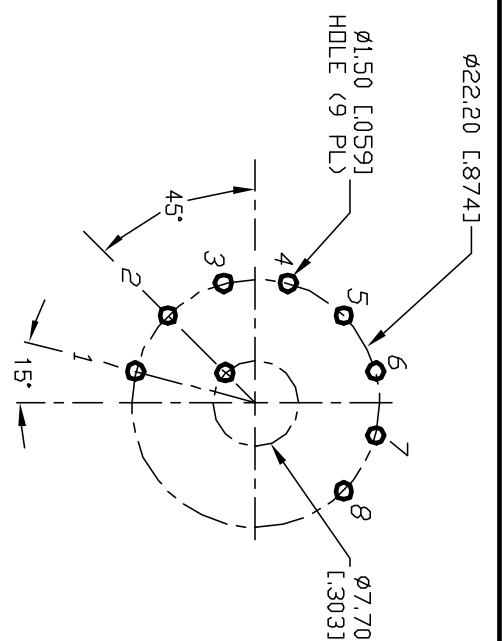
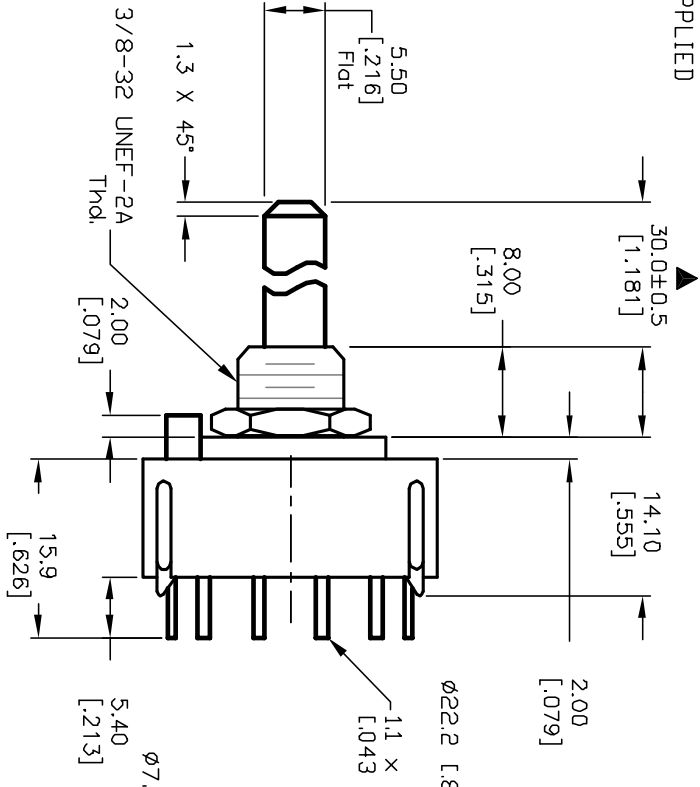
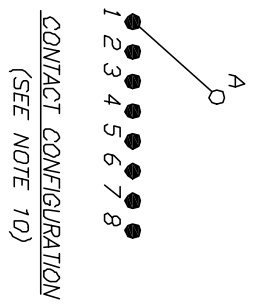
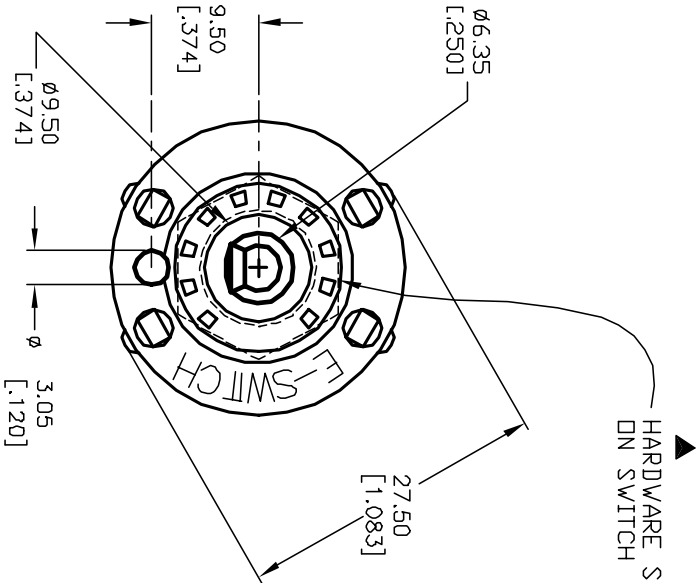
Stocking Distributor

Click to view price, real time Inventory, Delivery & Lifecycle Information:

[E-Switch](#)
[KC18A30.001NPS](#)

For any questions, you can email us directly:
sales@integrated-circuit.com

- NOTES:
1. ALL DIMENSION IN MM [INCH]
 2. GENERAL TOLERANCE: X.X=±0.4
X.XX=±0.25
 3. TERM. NOS. FOR REF. ONLY
 4. CONTACT RATING SWITCHING: 150mA, 250V AC/DC
350mA, 110V AC/DC
 5. OPERATING FORCE: 425±100 CM/STANDARD
 6. OPERATING TEMP: -30° to 85°C
 7. CIRCUIT SP: 8 POSITIONS, 30° INDEX.
 8. DIELECTRIC STRENGTH: 1000V RMS min.@Sea Level
 9. DESIGNATE MAJOR DIMENSIONS
 10. TIMING: BBM (Non-Shorting) Break Before Make.
 11. HARDWARE SUPPLIED ON SWITCH - SEE BELOW
STOP RING, LOCKWASHER, & HEXNUT



B	12921	REV DESC PER NEW CATALOG	2/28/03	CJB
A	11512	RELEASED FOR PRODUCTION	5/30/01	CJB
REV.	ECN No.	DESCRIPTION	DATE	CHKD

THE INFORMATION CONTAINED IN THIS DOCUMENT IS PROPRIETARY TO E-SWITCH AND IS NOT TO BE COPIED OR TRANSMITTED

TITLE		DATE		DR	DWG	REV
KC-18-A-(30.0mm) 01-N-P-S		5/30/01		CJB	G530163	B
SCALE	DATE		DR	DWG	REV	
1.5:1	5/30/01		CJB	G530163	B	

E-SWITCH®