

Excellent Integrated System Limited

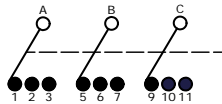
Stocking Distributor

Click to view price, real time Inventory, Delivery & Lifecycle Information:

[E-Switch](#)
[KC33B7.001NLS](#)

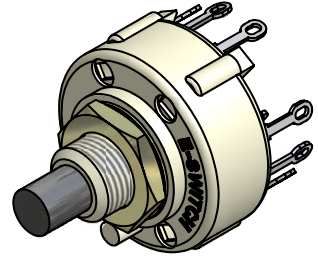
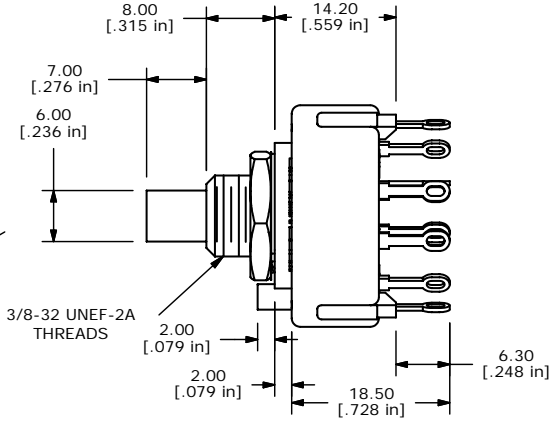
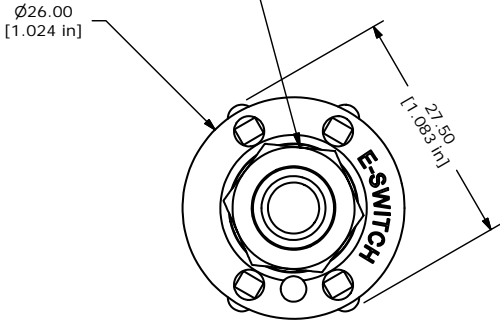
For any questions, you can email us directly:
sales@integrated-circuit.com

SHEET 1 OF 1

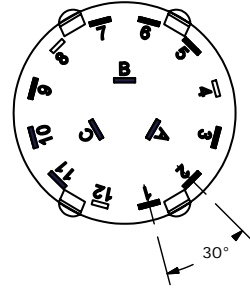


CONTACT CONFIGURATION
TIMING (BBM) NON-SHORTING

HARDWARE SUPPLIED
ON SWITCH ▲



ISOMETRIC



NOTE:

1. ALL DIMENSIONS IN MM[INCH].
2. GENERAL TOLERANCE: X.X=±0.4
X.XX=±0.25
3. TERM. NOS. FOR REFERENCE ONLY.
- ▲ 4. CONTACT MATERIAL: SILVER
5. CONTACT RATING: 0.3A @ 125VAC
6. OPERATING FORCE 800±300gm-cm
7. OPERATING TEMP: -30°C TO 85°C
- ▲ 8. CIRCUIT 3P: 3 POSITION 30° INDEX.
9. DIELECTRIC STRENGTH: 500VAC FOR 1 MIN.
- ▲ 10. HARDWARE SUPPLIED ON SWITCH:
LOCKWASHER, HEXNUT, STOP RING
11. 2002/95EC (ROHS) COMPLIANT
12. ▲ DENOTES CRITICAL PARAMETER.



| | | | | |
|---------------------|-----------------|-------|-------------|-------|
| TITLE KC33B7.001NLS | | | | |
| SCALE 1.5:1 | DATE 10/24/2005 | DR PH | DWG G510598 | REV A |

| | | | | |
|-----|--------|-------------------------|----------|----|
| A | 15437 | RELEASED FOR PRODUCTION | 10/24/05 | PH |
| REV | PCR NO | DESCRIPTION | DATE | BY |

THE INFORMATION CONTAINED IN THIS DOCUMENT IS PROPRIETARY TO E-SWITCH AND IS NOT TO BE COPIED OR TRANSFERRED