

## Excellent Integrated System Limited

Stocking Distributor

Click to view price, real time Inventory, Delivery & Lifecycle Information:

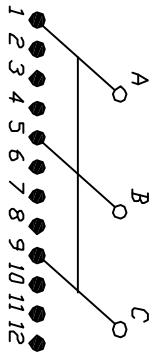
[E-Switch](#)  
[KC34A13.001NLS](#)

For any questions, you can email us directly:

[sales@integrated-circuit.com](mailto:sales@integrated-circuit.com)

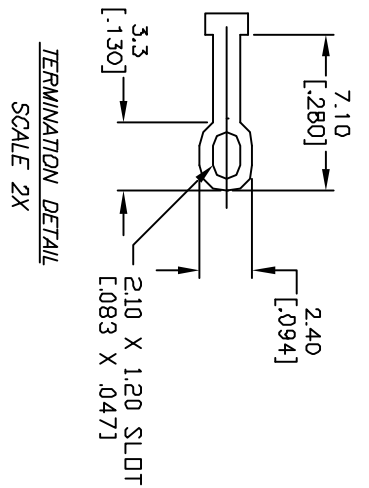
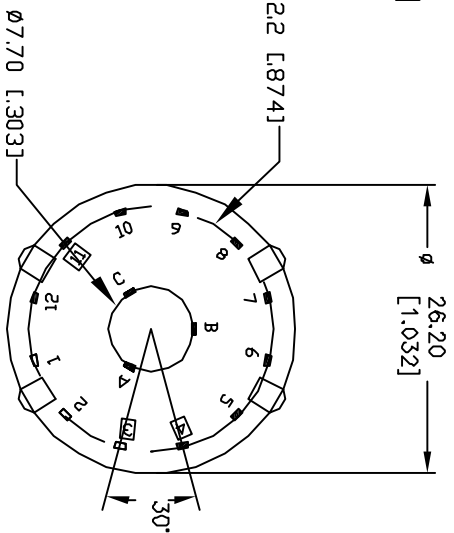
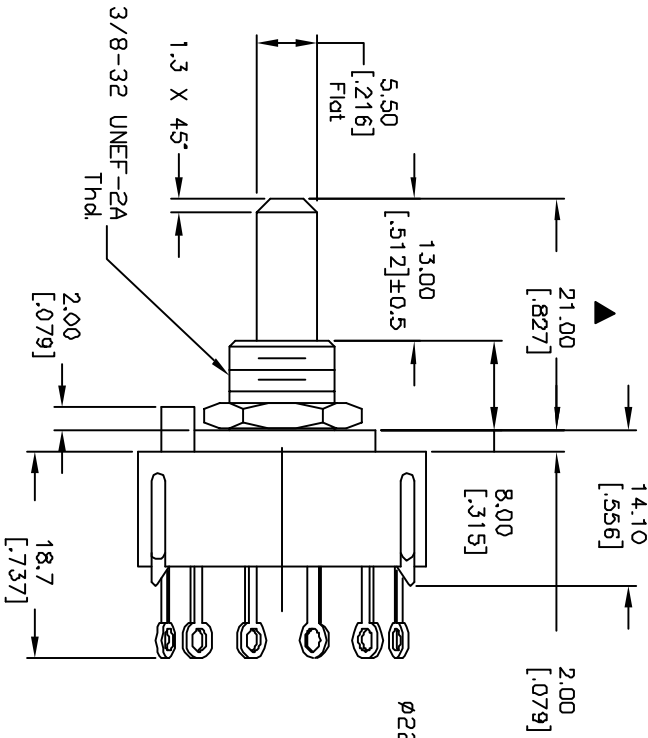
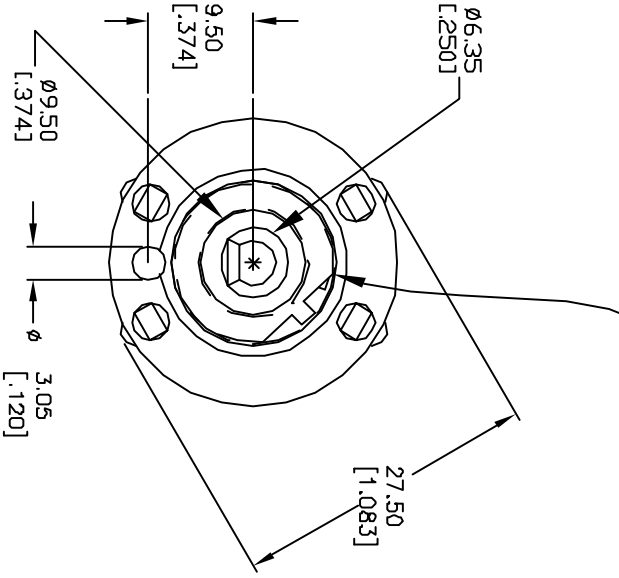
NOTES:

1. ALL DIMENSION IN MM [INCH]
2. GENERAL TOLERANCE: X.X=±0.4  
X.XX=±0.25
3. TERM. NOS. FOR REF. ONLY
4. CONTACT RATING SWITCHING: 150mA, 250V AC/DC  
350mA, 110V AC/DC
5. OPERATING FORCE: 425±100 CM/STANDARD
6. OPERATING TEMP: -30° to 85°C
7. CIRCUIT 3P: 4 POSITIONS, 30° INDEX.
8. DIELECTRIC STRENGTH: 1000V RMS min. @Sea Level
9. HARDWARE SUPPLIED ON SWITCH - SEE BELOW  
LOCKRING, LOCKWASHER, & HEX NUT.
10. ▲ DENOTES CRITICAL PARAMETER.



CONTACT CONFIGURATION  
 Timing: (BBM) Non-Shorting

▲ HARDWARE SUPPLIED  
 DN SWITCH



NOTES:

1. ALL DIMENSIONS IN MM
2. GENERAL TOLERANCE: X.X=±0.4  
X.XX=±0.25
3. TERM. NOS. FOR REFERENCE ONLY.

A	13230	RELEASED FOR PRODUCTION	6/24/03	AR
REV.	ECN NO.	DESCRIPTION	DATE	CHKD
THE INFORMATION CONTAINED IN THIS DOCUMENT IS PROPRIETARY TO E-SWITCH AND IS NOT TO BE COPIED OR TRANSFERRED				

TITLE		KC34A13.001NLS		
SCALE	DATE	DR	DWG	REV
1.5:1	6/24/03	AR	G510465	A

**E-SWITCH**®