

Excellent Integrated System Limited

Stocking Distributor

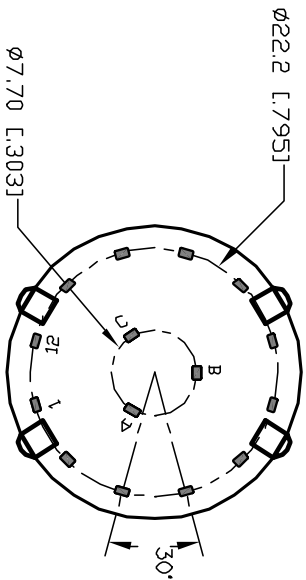
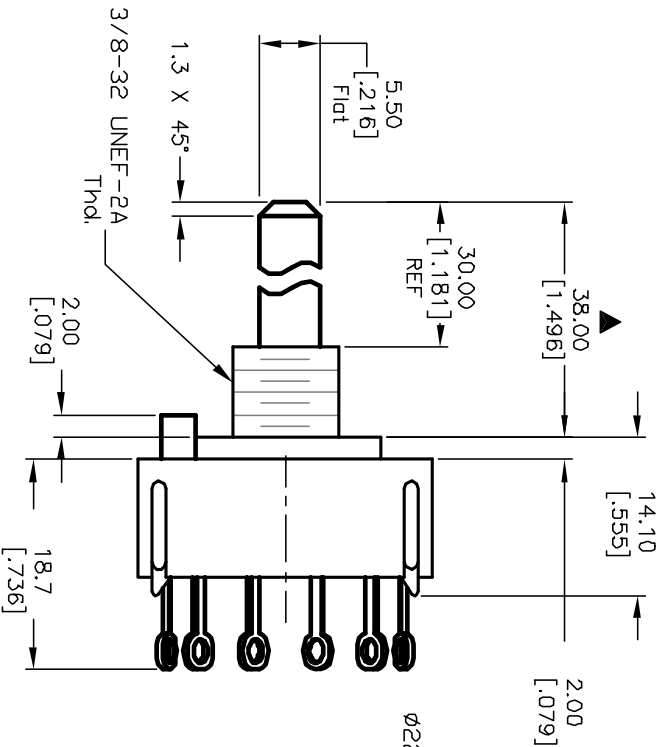
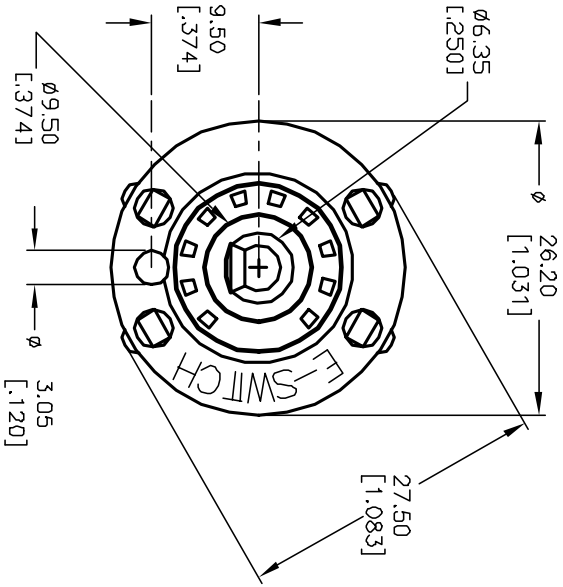
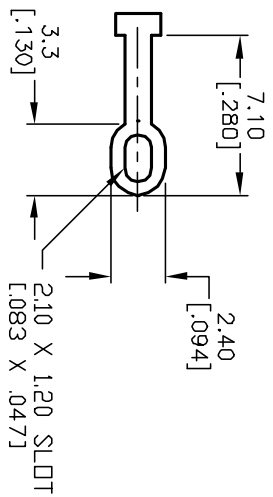
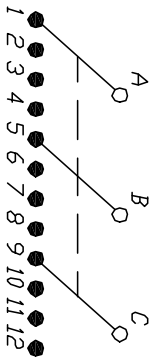
Click to view price, real time Inventory, Delivery & Lifecycle Information:

[E-Switch](#)
[KC34A30.001NLF](#)

For any questions, you can email us directly:

sales@integrated-circuit.com

- NOTES:
1. ALL DIMENSION IN MM [INCH]
 2. GENERAL TOLERANCE: X.X=±0.4
X.XX=±0.25
 3. TERM. NOS. FOR REF. ONLY
 4. CONTACT RATING SWITCHING: 150mA, 250V AC/DC
350mA, 110V AC/DC
 5. CONTACT MATERIAL: GOLD FLASH (AU FLASH OVER
1 MICRON OVER 2 MICRON NI)
 6. OPERATING FORCE: 425±100 CM/STANDARD
 7. OPERATING TEMP: -30° to 85°C
 8. CIRCUIT 3P: 4 POSITIONS, 30° INDEX.
 9. DIELECTRIC STRENGTH: 1000V RMS min.@Sea Level
 10. DESIGNATE MAJOR DIMENSIONS
 11. SUPPLIED HARDWARE: LOCK NUT AND WASHER (NOT SHOWN).



B	12582	REV DESC PER NEW CATALOG	11/20/02	CJB
A	11312	RELEASED FOR PRODUCTION	3/21/01	CJB
REV.	ECN No.	DESCRIPTION	DATE	CHKD

TITLE		SCALE		DATE		DR		DWG		REV	
KC-34-A (30.0mm)-01-N-L-F		1.5:1		3/21/01		CJB		G510262		B	

E-SWITCH®

THE INFORMATION CONTAINED IN THIS DOCUMENT IS PROPRIETARY TO E-SWITCH AND IS NOT TO BE COPIED OR TRANSMITTED